

***EASY TO FIT STORAGE FOR YOUR FIXED EV CHARGING CABLE***

CTEK's EV PLUG HOLDER INTEGRATED is an easy to fit accessory that lets you securely and safely attach your fixed charge cable plug to your CHARGESTORM CONNECTED device. Please note that this accessory must only be fitted by a qualified electrician.

SAFE, SECURE STORAGE

The EV PLUG HOLDER INTEGRATED can be retrofitted to CHARGESTORM CONNECTED EV chargers so the fixed charging cable can be conveniently and easily attached to the charger box.

It can be mounted to the charger's box without the need to unplug any existing cables. Your qualified electrician simply fixes EV PLUG HOLDER INTEGRATED by opening the charger box, removing the gland plate lock nuts, sliding the plug holder in place and then tightening everything back up with the supplied new nuts.

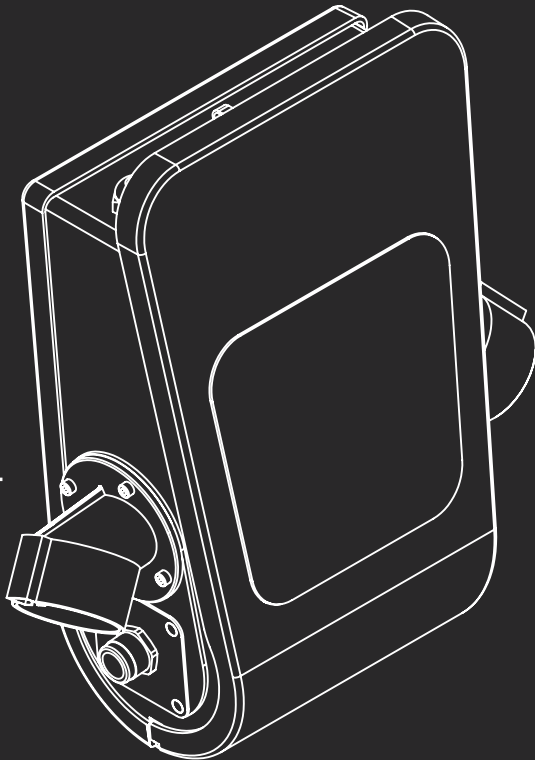
After that, you can store the end of the fixed charging cable conveniently to the new holder.

EV PLUG HOLDER INTEGRATED can be fitted to existing CHARGESTORM CONNECTED EV chargers with fixed cables or purchased as an accessory with a new charger unit.

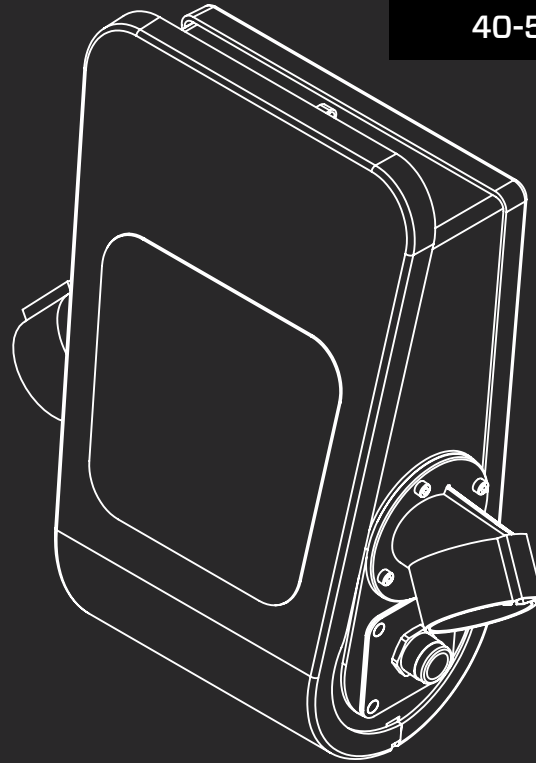
FEATURES

- Secure storage for fixed Type 2 CHARGESTORM CONNECTED EV charger cables
- Easy to fit to CHARGESTORM CONNECTED EV chargers by a qualified electrician
- Neat and convenient design
- Tough, hardwearing steel and plastic construction
- 4 new lock nuts supplied

40-564



40-527



CHARGESTORM CONNECTED MODELS COMPATIBLE WITH EV PLUGHOLDER INTEGRATED, 40-564 (LEFT)

CHARGESTORM CONNECTED

910-00040 910-00092 910-10091
910-00086

CHARGESTORM CONNECTED 2

910-17040 910-17086 910-17092
910-17042 910-17091

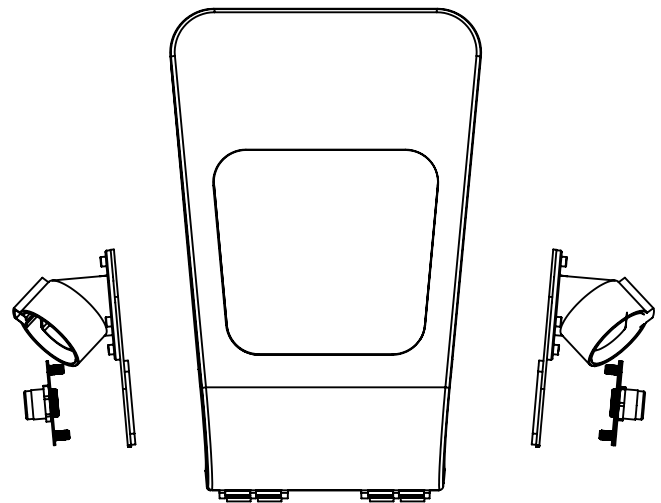
CHARGESTORM CONNECTED MODELS COMPATIBLE WITH EV PLUGHOLDER INTEGRATED, 40-527 (RIGHT)

CHARGESTORM CONNECTED

910-00040 910-00046 910-00086
910-00041 910-00047 910-00092
910-00042 910-00048 910-10091
910-00045 910-00057

CHARGESTORM CONNECTED 2

910-17040 910-17046 910-17086
910-17042 910-17047 910-17091
910-17045 910-17048 910-17092



TECHNICAL DATA

MATERIAL	Plastic
DIMENSIONS (H X W X D)	180x110x99 mm
WEIGHT	500g
COLOR	Black
INCLUDED	4 lock nuts
ARTICLE NUMBER	40-564 (left) 40-527 (right)