

CTEK

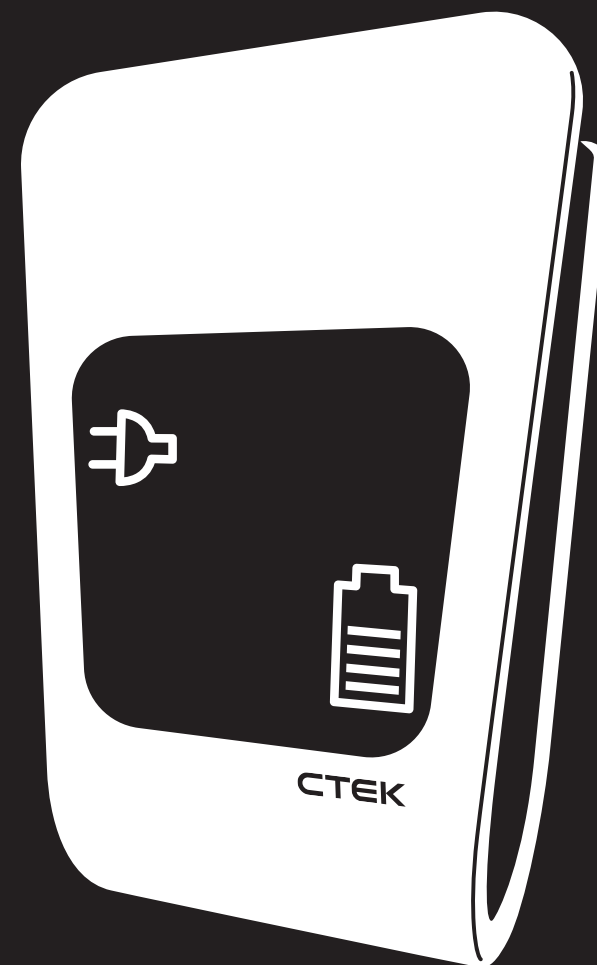
INSTALLATION MANUAL

CHARGESTORM® CONNECTED 3



ENGLISH

SWEDISH



CTEK

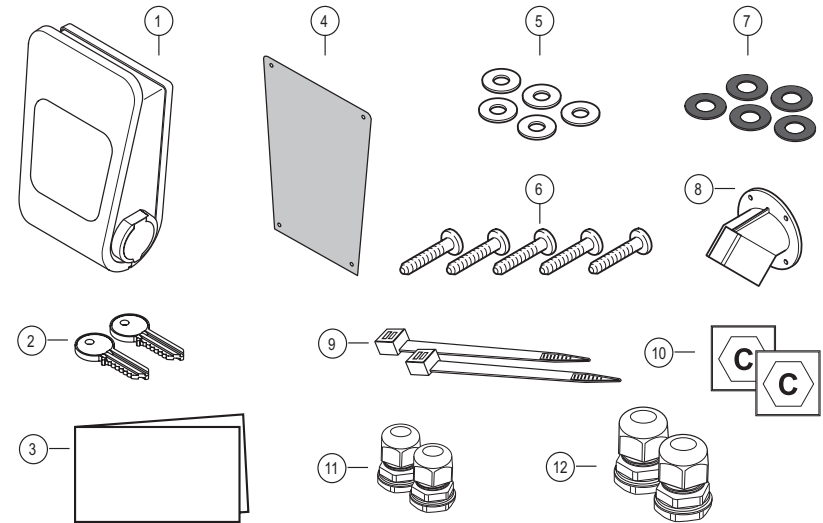




! Please read all of the instructions detailed in this installation manual carefully before use.

- CONTENTS 3
- ABOUT THE CHARGESTORM® CONNECTED 3 4
- SAFETY AND RECYCLING 5
- CHARGESTORM® CONNECTED 3 INSTALLATION 6
- 1. OPENING THE TECHNICAL BOX 6
- 2. MOUNTING - WALL 6
- 3. MOUNTING - POST 7
- 4. WIRING PREPARATION 7
- 5. ELECTRICAL WIRING INFO 8
- 6. THREE PHASE 8
- 7. SINGLE PHASE 8
- 8. ETHERNET CONNECTION 9
- 9. CLOSING THE CHARGER 9
- CHARGESTORM® CONNECTED 3 TESTING AND MAINTENANCE 10
- 1. INSTALLATION TESTING 10
- 2. EARTH-FAULT TESTING 10
- 3. MAINTENANCE TESTING 10
- CHARGESTORM® CONNECTED 3 CONFIGURATION 11
- 1. CONNECTING VIA USB 11
- 2. CONNECTING VIA WI-FI 11
- 3. CONFIGURING CURRENT LIMIT 11
- 4. CONFIGURING ETHERNET CONNECTION 12
- 5. CONFIGURING MODEM CONNECTION 12
- 6. CONFIGURING WI-FI CONNECTION 12
- 7. CONFIGURING ENDPOINT AND CHARGEBOX ID 13
- 8. CONFIGURING PHASE ORIENTATION 13
- 9. CHECKING TAMPER PROTECTION STATUS 13
- 10. CHANGING PASSWORD 14
- 11. RESETTING PASSWORD 14
- 12. PERFORMING FACTORY RESET 14
- TECHNICAL SPECIFICATION 15
- WARRANTY AND SUPPORT 16
- LIMITED WARRANTY 16
- CIRCUMSTANCES THAT WILL VOID THE LIMITED WARRANTY 16
- ADDITIONAL INFORMATION 16
- NATIONAL USAGE 16
- COPYRIGHT 16
- REVISIONS 16
- SUPPORT 16
- REPORTING CYBER-SECURITY ISSUES 16

WHAT'S IN THE BOX



NO.	ITEM
1	The charging station CHARGESTORM® CONNECTED 3
2	Two keys
3	Getting Started Guide
4	Drilling template
5	Five washers
6	Five M6 mounting screws
7	Five rubber gaskets
8	Charging cable holder (only for wired variants)
9	Zip ties for data cables
10	Charger outlet notification labels
11	Cable glands for data cables
12	Cable glands for power cables

THANK YOU FOR CHOOSING CTEK

Our brand: CTEK is the leading global brand in vehicle charging technology.

Our people: are constantly pushing the boundaries of research and development to create the most advanced EV charging solutions available today. They are developed right here in Sweden, from our headquarters in Dalarna and our E-mobility centre of excellence in Norrköping.

Our customers: come from diverse markets, and include municipalities, energy companies, housing cooperatives, commercial property owners, corporations, parking companies, as well as private individuals.

Our products: are world-class and feature cutting-edge technology. They are characterised by quality, safety, reliability, and ease of use.

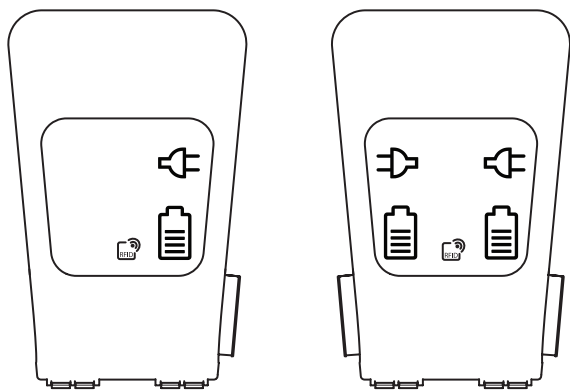
To learn more about CTEK and our products, please visit: www.ctek.com



ABOUT THE CHARGESTORM® CONNECTED 3

PRODUCT DESCRIPTION

CHARGESTORM® CONNECTED 3 is an advanced charging station for electrical vehicles.



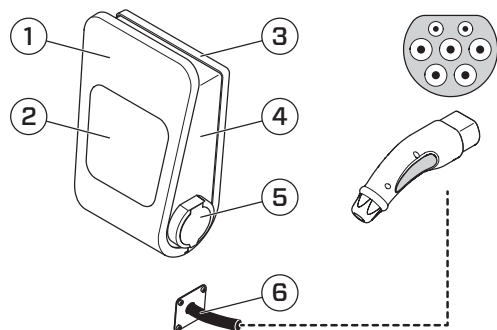
The charging station comes in several variants depending on the number and type of outlets required (Type 2 socket, hardwired Type 2 plug). For a complete list of article numbers, download datasheet at www.ctek.com.

CHARGESTORM® CONNECTED 3 is an improved and updated version of CTEK's advanced EV charger with a range of functions and built in safety features. It has a powerful charge controller, which can handle dual type 2 outlets and offers load balancing support through NANOGRID™.

INTENDED USE

This charging station is intended for wall-mounted or pole-mounted use. The charging station is intended for both restricted and non-restricted locations, both indoors and outdoors. The charging station shall only be used with Type 2 charging cables and is only intended for charging electrical and hybrid vehicles.

OVERVIEW



NO.	ITEM
1	Front Panel
2	Display with charging status symbols
3	Back cover
4	Technical box
5	Electrical Vehicle outlet
6	Electrical Vehicle fixed cable with Type 2 connector

SYMBOL STATUS

SYMBOL	COLOUR	MODE	EXPLANATION
	Solid Green	RFID/ Open	Available and ready for charging.
	Flashing Green	RFID/ Open	Vehicle connection detected.
	Dimmed Green	RFID	Authentication in progress on another outlet.
	Solid Red	RFID/ Open	Outlet fault detected.
	Flashing Red	RFID/ Open	Outlet fault detected whilst a vehicle is connected. The vehicle should be reconnected to attempt clearing the error.
	Solid Blue	RFID/ Open	Vehicle connected but not charging (for example, the vehicle is fully charged or the charging session is paused).
	Pulsating Blue	RFID/ Open	Charging in progress.
	Flashing Blue	RFID/ Open	The charging station has connected to cloud backend. Only displayed during boot up. The flashing will occur for 5 seconds.
	Off	Open	Authetication not required
	Solid Green	RFID	Waiting for RFID tag.
	Flashing Yellow	RFID	Authentication in progress. Please wait!
	Flashing Green once	RFID	RFID tag approved. Charging will now start.
	Flashing Red once	RFID	RFID tag access denied (user not authorized for charging).

NOTE: If the charging station has no active symbols, the charging station is inactive. This may be because it has been configured in that way, because the charging station is restarting, or because the charging station has been deactivated for planned maintenance.




SAFETY

⚠ READ ALL OF THE SAFETY AND USER INSTRUCTIONS BEFORE USE


- ⚠ The charger is only designed for EV's according to the technical specification. Do not use the charger for any other purpose.
- ⚠ The charger has built-in modular RCD Type B (EN 60947-2), AC 30 mA, DC 6mA.
- ⚠ The charger does not have built-in PME fault detection device.
- ⚠ Always follow vehicle manufacturers' user and safety recommendations.
- ⚠ At high temperatures the charging station's algorithm will determine the optimal charging current. This reduces the risk of overheating and damaging the charging station without preventing the use of the device.
- ⚠ Never charge a damaged EV.
- ⚠ Never use a charger with damaged cables. Ensure that the cables have not been damaged by hot surfaces, sharp edges or in any other way.
- ⚠ A damaged cable must be replaced by a CTEK representative using an original part supplied by CTEK.
- ⚠ Connection to the mains supply must be in accordance with the national regulations for electrical installations.
- ⚠ Only an accredited electrician is allowed to perform the installation described in this document.
- ⚠ Read and follow the instructions in this document before installation and operation of the product.
- ⚠ Installation must fulfil local safety regulations.
- ⚠ Do not use adapters, conversion adapters or cord extension sets with this product, as specified by EN 61851 standard requirements.
- ⚠ This charging station does not have ventilated charging.
- ⚠ Make sure there are no loose cables or components inside the charging station due to vibrations during transport. If any cables or components are loose, fix them and tighten the screws. If unsure, contact CTEK support.
- ⚠ The installation is recommended to be carried out by two persons.
- ⚠ Use appropriate PPE during installation.

DISPOSING OF THE DEVICE

YOUR OBLIGATION AS AN END USER

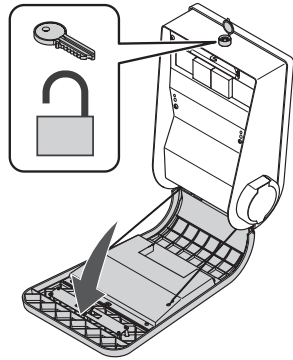
	<p>This electrical or electronic appliance is marked with a crossed-out wheeled bin. The appliance may therefore only be collected and taken back separately from unsorted municipal waste, i.e. it must not be disposed of with household waste. The appliance can, for example, be taken to a municipal collection point or, where applicable, to a distributor.</p> <p>This also applies to all components, sub assemblies, and consumables of the old appliance to be disposed of.</p> <p>Before the old appliance can be disposed of, all old batteries and accumulators that are not enclosed in the old appliance must be separated from the old appliance. The same applies to lamps that can be removed from the old appliance without being destroyed. The end user is also responsible for deleting personal data from the old appliance.</p>
---	--

NOTES ON RECYCLING

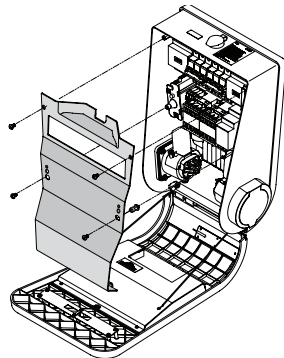
	<p>Help to recycle all materials marked with this symbol. Do not dispose of such materials, especially packaging, in the household waste but in the recycling containers provided or in the appropriate local collection systems.</p> <p>Recycle electrical and electronic equipment for environmental and health protection.</p>
---	---



1 OPENING THE TECHNICAL BOX



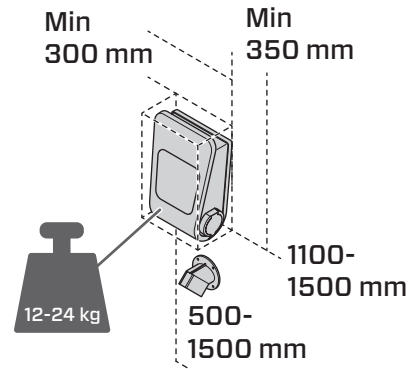
1. Unlock and open the technical box with the key provided.



2. Carefully remove the protection cover by undoing the holding screws and returning the lock into the locked position.

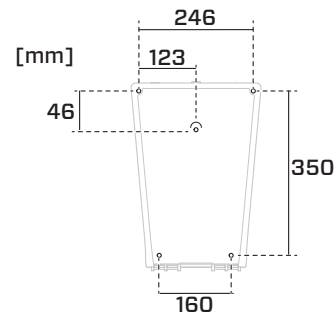
NOTE: T25 screwdriver head is required to remove the protection cover.

2 MOUNTING - WALL

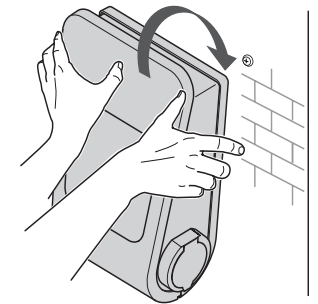


1. Determine suitable installation position to allow sufficient space around the Technical Box for daily usage and maintenance access.

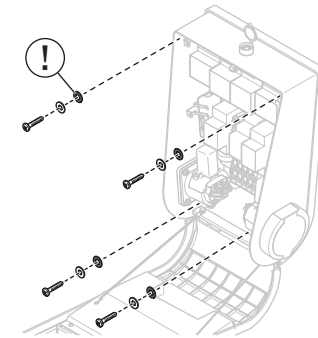
When installing on a wall, make sure that the wall material is suitable for mounting of the box. The wall must withstand the weight of the charging station



2. Drill five holes in the wall that align with the locations shown in the drilling template.



3. Fix one included M6 screw into the middle hole on the wall and use it as a hook to attach the Technical Box to the wall.



4. Fix the Technical Box to wall using the remaining four M6 screws with the rubber gaskets first and then the washer.

CAUTION: Do not install the charging station without the rubber gaskets. Otherwise water may enter the EV charger and cause damage.

5. Make sure that the charging station is firmly installed on the wall.

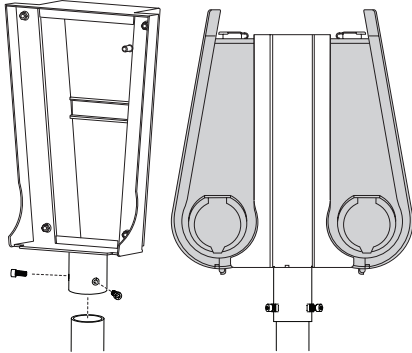
6. Make sure to cover all open holes with silicon or rubber gaskets to protect the charging station against water.



3 MOUNTING - POLE

NOTE: For more detailed instructions for installation on a pole, refer to the Pole Mounting Bracker instructions.

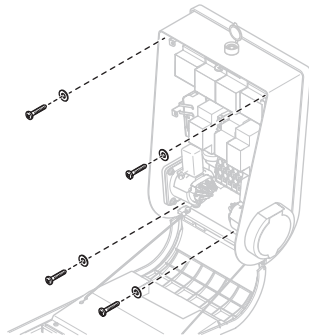
1. Prepare and install the mounting poles as per the required specifications.



2. Attach the mounting bracket using the two screws provided with the bracket.

NOTE: H4 screw head or 4 mm Allen key is required to tighten the screws. Screws should be tightened to 5-7 Nm.

CAUTION: The mounting bracket must be earthed in line with your local installation standards.

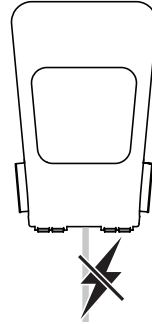


4. Fix the Technical Box to the bracket using the four M6 screws with the washers.

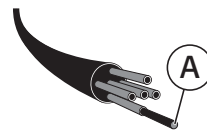
5. Make sure that the charging station is firmly installed on the post.

6. Make sure to cover all open holes with silicon or rubber gaskets to protect the charging station against water.

4 WIRING PREPARATION



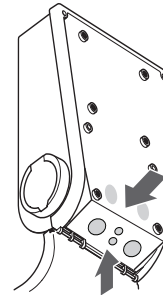
1. Prior to commencing the work, ensure electrical supply is isolated and locked off prior to any wiring work to prevent unwanted activation.



$A \leq 25\text{mm}^2$
(single cable)

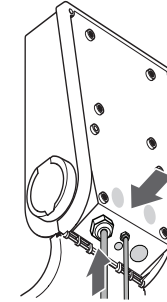
$A \leq 16\text{mm}^2$
(daisy chain)

2. Ensure the power cabling is rated to support the desired load, refer to local installation regulations for guidance. Maximum supported conductor size (A) is 25mm^2 for single cable or 16mm^2 for daisy chain connection.



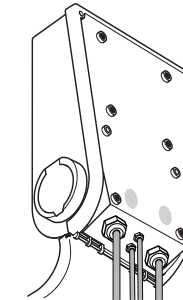
3. Power and data cables can enter the station using the knockouts at the bottom and at the back of the Technical Box.

NOTE: The charger allows for power and data to be daisy chained. In this case up to two power cables and up to two data cables can enter the Technical Box.



4. Install the included cable glands in the holes to protect the unit from dust and water penetration.

NOTE: Cable glands are not required when using CTEK pole mounting brackets.



5. If daisy-chaining power and/or data cables, use additional included cable glands as required.

NOTE: Cable glands are not required when using CTEK pole mounting brackets.



5 ELECTRICAL WIRING INFO

Elongated T20 screw head is required to work with the terminal block. All terminals should be tightened to 2.5 Nm.

Only Copper conductors are supported.

Maximum wire crosssectional area (without ferrules): 25mm²

Maximum wire crosssectional area (with ferrules): 16mm²

Maximum current rating for the terminal block is 101A.

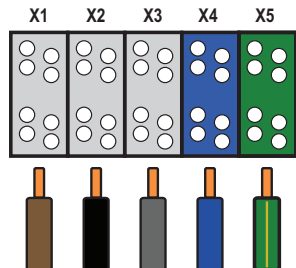
If a single cable is used (no daisy chaining), max 25mm² wiring can be used to supply power to the charging station.

If two cables are used (daisy chaining), max 16mm² wiring can be used to supply power to the charging station.

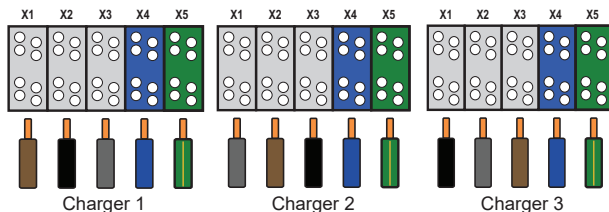
6 THREE PHASE

NOTE: This wiring configuration is possible on all variants of CC3.

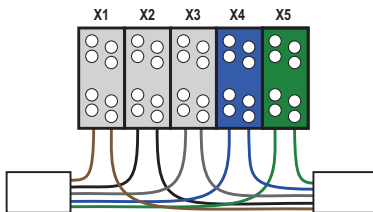
1. Strip each wire, exposing approximately 18-20mm of copper. If soft stranded wiring is used, then ferrules must be used to make the connection.



2. Install the wires as per the diagram showed above.



CAUTION: If installing multiple chargers in a single location (whether daisy-chained or independently powered), phase connections should be rotated, as per the diagram above, between the charger to prevent any individual phase from being overloaded.

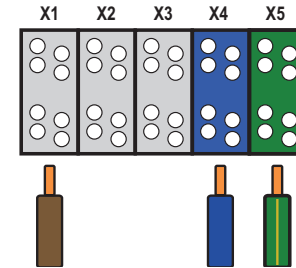


3. When daisy chaining power between chargers, each termination block can accept up to two 16mm² conductors. Phase rotation must be observed between the chargers.

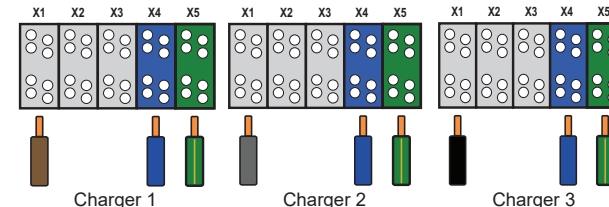
7 SINGLE PHASE

NOTE: This wiring configuration is not allowed on 88-645 and 88-647 variants of CC3.

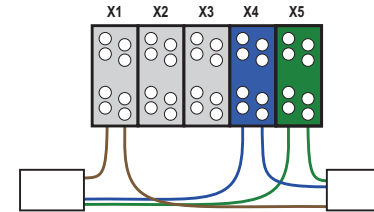
1. Strip each wire, exposing approximately 18-20mm of copper. If soft stranded wiring is used, then ferrules must be used to make the connection.



2. Install the wires as per the diagram showed above.



CAUTION: If installing multiple chargers in a single location (whether daisy-chained or independently powered), phase connections must be rotated, as per the diagram above, between the charger to prevent any individual phase from being overloaded.

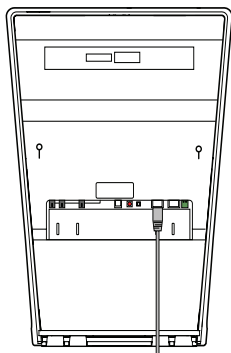


3. When daisy chaining power between chargers, each termination block can accept up to two 16mm² conductors. Phase rotation must be observed between the chargers.

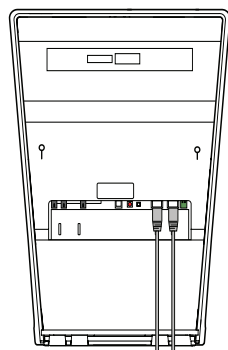
4. Configure the phase orientation by connecting to the EVSE and following article 8 Configuring Phase Orientation in CHARGESTORM® CONNECTED 3 Configuration section.



8 ETHERNET CONNECTION



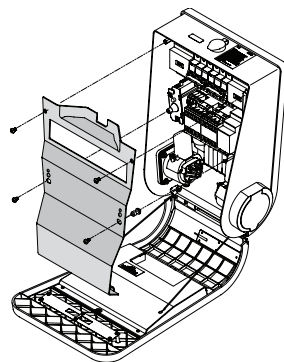
1. If hard-wired network connection is used, the ethernet cable is to be connected to one of the ethernet ports on CCU in the charger lid.



2. If daisy chaining the network connection, two ethernet cables can be connected to the CCU.

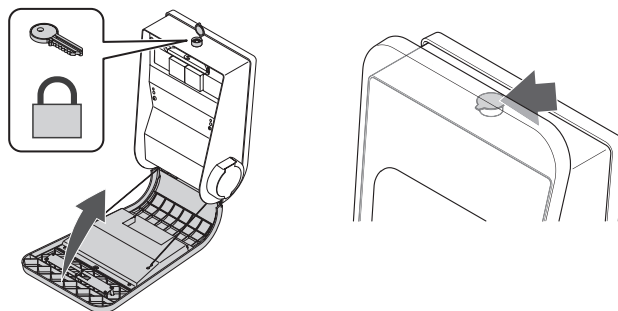
NOTE: When installing multiple chargers in a single location, internet data sharing can be enabled to allow one charger with an activated SIM card to share the internet access with other chargers that are connected to it via the ethernet cables.

9 CLOSING THE TECHNICAL BOX

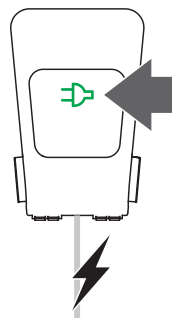


1. Carefully reinstall the protection cover.

NOTE: T25 screwdriver head is required to reinstall the protection cover.



2. Close the front cover and lock it in place using the key. Ensure the lock cover is securely in place.



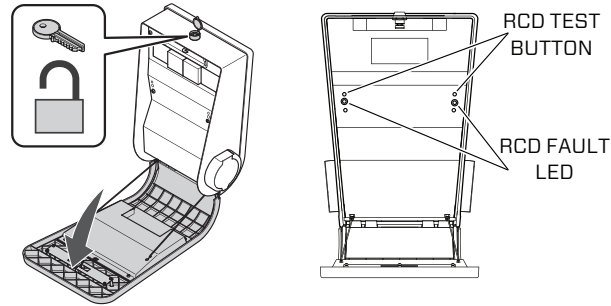
3. Power on the charger. Allow up to 2 minutes for the charger to fully start up.



1 INSTALLATION TESTING

- Make sure that the charging station is firmly mounted on the wall/pole.
- Check the connection of the power cable and network cable. Tighten the cable gland if it is necessary.
- If the installation is a Nanogrid Home setup, check the communication between the external Energy Meter and the Charger.
- Charge a vehicle. Check the current and make sure that charging symbols on the display operate correctly.
- Function control RFID.
- Test the Internet connection (4G/Router/Ethernet)
- Make sure that the weather protection of the lock is sealed correctly.
- Make sure that the display is lit.
- When the vehicle is charging, make sure that the RCD LEDs on the protection cover are green.
- Press the button on the protection cover to test the earthfault-tripping functionality. Charging should stop. To reset unplug and plug back in the charging cable.

2 EARTH-FAULT TESTING



To test the Earth-Fault Protection (Residual Current Protection), the RCD TEST BUTTON for each outlet should be pressed.

Pressing the button will introduce the fault and the RCD FAULT LED will become red.

If the RCD TEST BUTTON is pressed whilst a vehicle is charging, the Red Plug symbol on the front LED panel will activate as well.

To reset the RCD FAULT LED, a vehicle must be connected to the charger and a new charging session must be started. If a vehicle was connected to the EVSE when the test was carried out, it must be reconnected and a new charging session must be started. Alternatively, the EVSE can be hard reset by disconnecting and reconnecting the power supply.

Under normal conditions, RCD FAULT LED is green. If an Earth-Fault is detected or a test is initiated, RCD FAULT LED will change to red. The outlet with an Earth-Fault detected will not function.

3 MAINTENANCE TESTING

- Maintenance on the product must be undertaken once a year.
- Make sure that the charging outlet/charging cable is in good condition.
- Replace the charging outlet/charging cable if it is necessary.
- Check the rubber gaskets. Remove any possible dirt from the rubber gasket.
- If necessary, update the software.
- Check the cable gland. Tighten if it is necessary.
- Any damaged components must be replaced using CTEK approved or original parts.



1 CONNECTING VIA USB

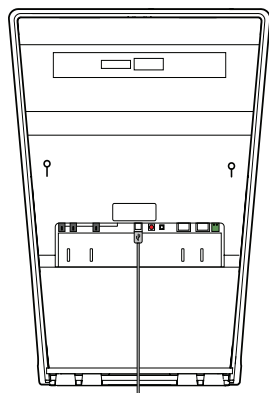
Required equipment:

- PC/Laptop (Windows/Linux/Mac OS)
- USB C cable

NOTE: Windows PCs/Laptops require driver installation, if the device has not been previously used for configuration. Drivers with detailed instructions can be downloaded from www.ctek.com

This method of connection can be used to configure chargers before or after installation takes place, as the CCU can be powered using a USB C cable.

NOTE: If the CCU is powered only via the USB C cable, all parameters of the charger can be configured but certain internal devices will not be operational for testing, e.g. Wi-Fi, internal modem etc.



1. Connect USB C cable to CCU and a powered on PC/Laptop.
2. If the charger was switched off, allow up to 2 minutes for the CCU to boot up.
3. Using the web browser of choice, navigate to <http://192.168.7.2> and login using the unique login and password combination provided with the charger.

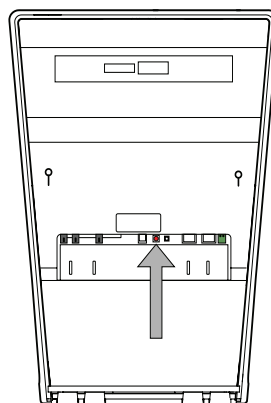
NOTE: CTEK recommend web browser Google Chrome for this action.

2 CONNECTING VIA WI-FI

Required equipment:

- Any Wi-Fi capable device

This method of connection can be used to configure chargers ONLY after installation takes place and the charger can be powered on.



1. Press and hold the Service button for 0.5-3 seconds. When the service button is released, the LED next to the button will start flashing green, indicating that a hotspot has been created.

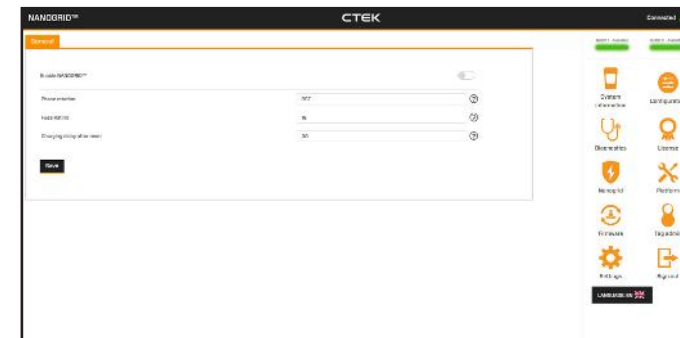
CAUTION: Holding down the Service button for too long will result in a factory reset. In this case, the LED will light up red.

2. Connect the chosen Wi-Fi capable device to the created wireless network (CTEK CC3 Serial ID).
3. Using the web browser of choice, navigate to <http://192.168.7.2> and login using the unique login and password combination provided with the charger.

NOTE: CTEK recommend web browser Google Chrome for this action.

CAUTION: The connection process will have to be repeated everytime new settings are saved and the CCU is reset.

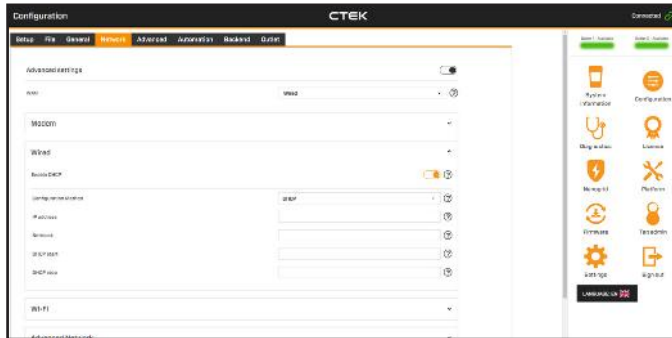
3 CONFIGURING CURRENT LIMIT



1. Navigate to Nanogrid menu.
2. Ensure Enable NANOGRID toggle is disabled. If CTEK load management will be used, refer to the NANOGRID manual.
3. Enter the upstream fuse rating. Overall output of the station will not exceed the set value.
4. At the bottom of the page Save the settings.

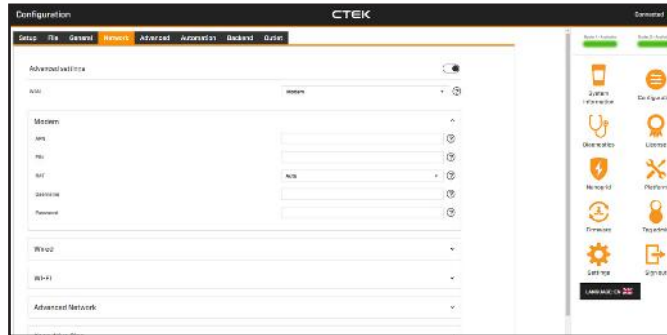


4 CONFIGURING ETHERNET CONNECTION



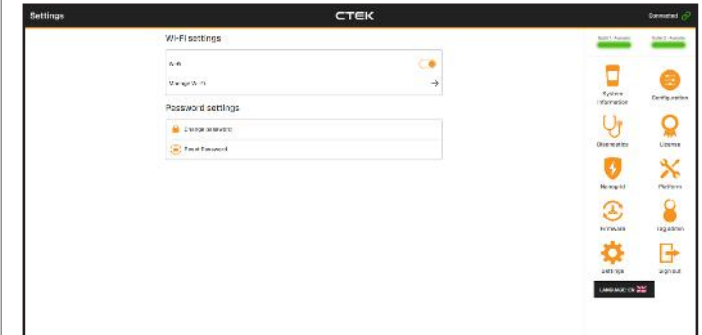
1. Navigate to Configuration menu.
2. Navigate to Network tab.
3. Select Wired in WAN dropdown box.
4. If any further site-specific settings are required, open Wired dropdown menu to enter the parameters.
5. Scroll to the bottom of the page to save the settings.

5 CONFIGURING MODEM CONNECTION

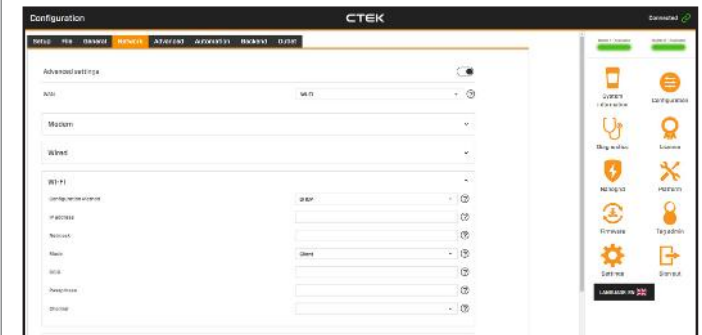


1. Navigate to Configuration menu.
2. Navigate to Network tab.
3. Select Modem in WAN dropdown box.
4. Open Modem dropdown menu and enter settings supplied by the SIM card provider.
5. Scroll to the bottom of the page to Save the settings.

6 CONFIGURING WI-FI CONNECTION



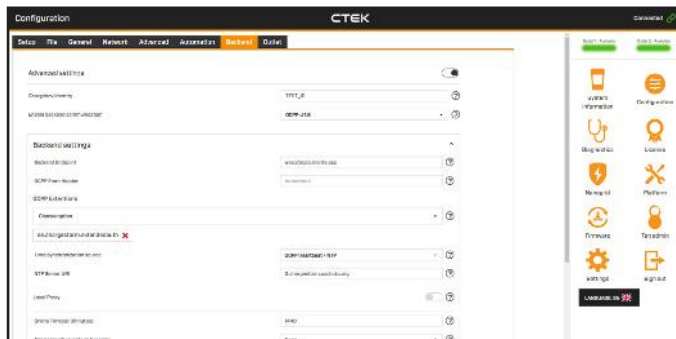
1. Navigate to Settings menu.
2. Enable Wi-Fi toggle.
3. Click on Manage Wi-Fi and connect to the desired Wi-Fi network.



4. Navigate to Configuration menu.
5. Navigate to Network tab.
6. Select Wi-Fi in WAN dropdown box.
7. If any further site-specific settings are required, open Wi-Fi dropdown menu to enter the parameters.
8. Scroll to the bottom of the page to Save the settings.

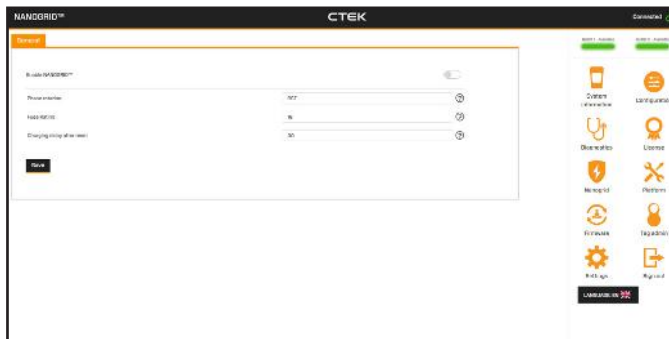


7 CONFIGURING ENDPOINT AND CHARGEBOX ID



1. Navigate to Configuration menu.
2. Enable Advanced Settings toggle.
3. Navigate to Backend tab.
4. Enter required Chargebox Identity (by default set to the serial number of the Charger).
5. Open Backend Settings dropdown menu and enter settings supplied by the backend software provider.
6. Scroll to the bottom of the page to Save the settings.

8 CONFIGURING PHASE ORIENTATION



1. Navigate to Nanogrid menu.
2. Ensure Enable NANOGRID toggle is disabled. If CTEK load management will be used, refer to the NANOGRID manual.
3. Enter the phase orientation as required.

Phases are referred to as RST, where:

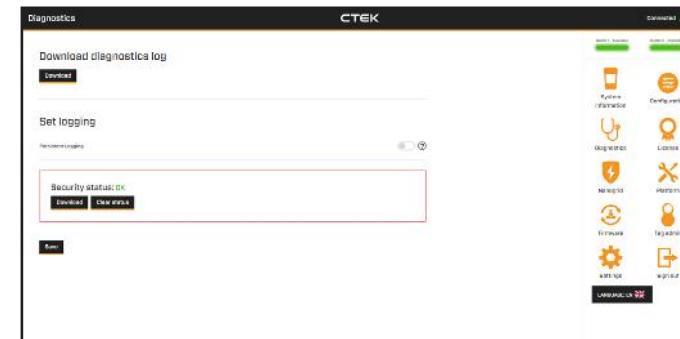
REFERENCE	PHASE
R (Reference)	L1
S (Secondary)	L2
T (Tertiary)	L3

For three phase connections, expected values are: RST, STR, TRS

For single phase connections, expected values are: Rxx, Sxx, or Txx

4. At the bottom of the page Save the settings.

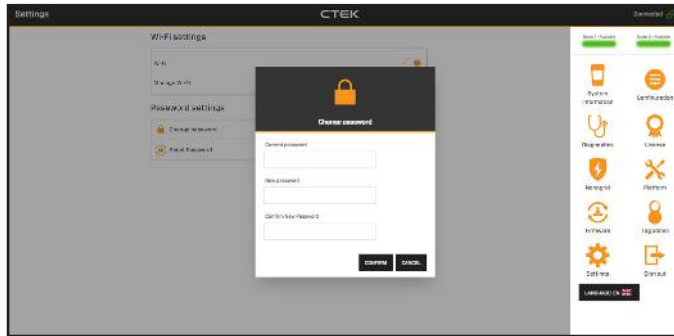
9 CHECKING TAMPER PROTECTION STATUS



1. Navigate to Diagnostics menu.
2. Check Security status. If the status is set to OK, there has been no instances of opening the station recorded. If the status is set to Alert, the tamper protection has been triggered.
3. Download the Security log if required.
4. Press Clear status to reset the value to the default position.



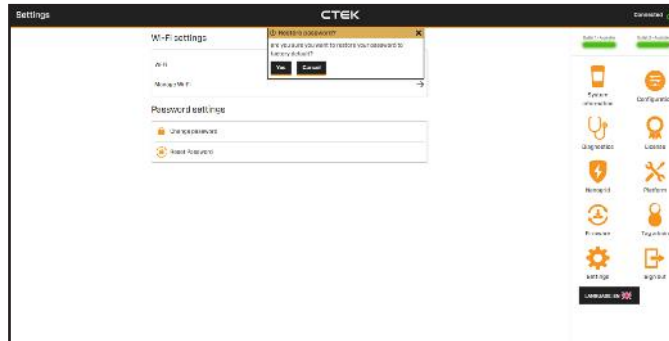
10 CHANGING PASSWORD



1. Navigate to Settings menu.
2. Click on Change password.
3. Enter the current password and the new password twice.
4. Click Confirm.

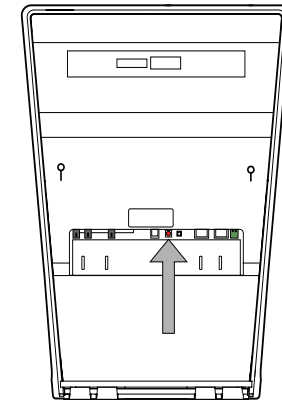
NOTE: If the password is changed, ensure it is stored safely. The Getting Started manual contains a section where the new password can be recorded. CTEK strongly recommend not to attach labels with passwords inside of the technical box.

11 RESETTING PASSWORD



1. Navigate to Settings menu.
2. Click on Reset Password.
3. Select Yes in the pop up prompt.

12 PERFORMING FACTORY RESET



1. Ensure the charger is not connected to any devices via USB C cable.
2. Press and hold the Service button for 10 seconds. When released, the red LED will start flashing to indicate settings are being reset back to the factory values.



POWER

Power input	TN/TT: 230/400 V AC 50Hz Max 64 A (depends on model)
Power output	AC
Connected to AC supply network	Yes
Permanently connected to the mains	Yes
Charging current	Up to 32 A per outlet
Supply Connection	TN/TT: L1,L2,L3,N,PE
Fuses	C-Characteristics. Breaking capacity 6kA Mode 3: 32A
Rated frequency, f_n	50 Hz
Rated diversity factor, RDF	1
Rated insulation voltage, U_i	250/400 V
Rated impulse withstand voltage, U_{imp}	4 kV
Rated conditional short-circuit current, I_{cc}	6 kA
Rated conditional residual short-circuit current, I_{sc}	6 kA
Max prospective short-circuit current, I_{cp}	6 kA
Overvoltage category	III

MECHANICS

Weight	Up to 24 kg (depending on model)
Dimension H x W x D	449 x 282 x 160 mm
Material	Front and back cover in ABS plastic. Colored zinc oxide metal box for electronics.
Ingress Protection	IP54
Ambient operation temperature	-30°C to +40°C
Altitude	< 2000 m
Relative humidity	Up to 100 % at +25°C
Storage temperature	-30°C to +50°C
External mechanical impact	IK10

INTERFACES

EV connector	One or two Type 2 outlets or Type 2 fixed cables
Display	LED symbols
Enclosure lock	Mechanical lock with key.
Energy meter	MID-approved
RFID tag standard	Mifare 1k, Mifare 1k+, Mifare Classic. 13,5 MHz.
Connectivity	4G: Frequency band: LTE Cat-1, B3 B8 B20 power class: 23 dBm. Fallback GSM/GPRS/EDGE 900 MHz (Max: 2W) 1800 MHz (Max: 1W). WiFi 2402-2482MHz, max output power 100mW (+23dBm) Dual Ethernet ports
RF Exposure	Users recommended to remain 20cm away from the device during operation.

COMPATIBILITY

Compliance	EN 61851-1, EN 62196-2, EN 61439-7, CE
Approval	Download the Declaration of Conformity from www.ctek.com
Charging method	Mode 3
Electric shock protection	Class I equipment
Communication protocol	OCPP 1.6
Pollution degree	3

SAFETY

Ground fault detection	Built-in modular RCD Type B (EN 60947-2), AC/DC 30 mA, DC 6mA
Rated making and breaking capacity, I_m	200 A contactor

OVERCURRENT AND SHORT-CIRCUIT PROTECTION

Rated current, I_n	See Part specific data
Characteristic	C
Rated short-circuit capacity, I_{cn}	6 kA
Rated service short-circuit breaking capacity, I_{cs}	7.5 kA
Let-through energy, I^2t	36000 A ² s

CONFORMITY

Hereby, CTEK Sweden AB declares that the radio equipment type, CHARGESTORM CONNECTED 3 model 3010, is in compliance with Directive 2014/53/EU (Radio Equipment Directive - RED).

The full text of the EU declaration of conformity is available at the following Internet address: <https://www.ctek.com/uk/certificates/doc>

PART SPECIFIC DATA

PART.NO	RATED INPUT, U_n	RATED INPUT, I_{nA}	LEFT OUTLET	RIGHT OUTLET
88-645**	400 V	32 A	-	Outlet, 3 ph, 230/400 V, 32 A
88-647**	400 V	64 A	Outlet, 3 ph, 230/400 V, 32 A*	Outlet, 3 ph, 230/400 V, 32 A*
40-645	230/400 V	32 A	-	Outlet, 3 ph, 230/400 V, 32 A
40-647	230/400 V	64 A	Outlet, 3 ph, 230/400 V, 32 A*	Outlet, 3 ph, 230/400 V, 32 A*
40-646	230/400 V	32 A	-	Cable, 3 ph, 230/400 V, 32 A
40-648	230/400 V	64 A	Cable, 3 ph, 230/400 V, 32 A*	Cable, 3 ph, 230/400 V, 32 A*

*Expected minimum output current at 20°C ambient is 19A per outlet when both outlets are in use. In ambient temperature of 50°C, the output per outlet is limited to 11A.

** Single-phase power input not supported.



WARRANTY AND SUPPORT

LIMITED WARRANTY

CTEK issues a limited warranty to the original purchaser of the product. Depending on the product, the limited warranty period will vary. The limited warranty is not transferable. The warranty applies to manufacturing faults and material defects. The warranty is void if the product has been handled carelessly or repaired by anyone other than CTEK or its authorized representatives. CTEK makes no warranty other than this limited warranty and is not liable for any other costs other than those mentioned above, i.e. no consequential damages. Moreover, CTEK is not obligated to any other warranty other than this warranty.

CIRCUMSTANCES THAT WILL VOID THE LIMITED WARRANTY

If the seal of the product is broken, purposely damaged, or in any way modified or altered; including cables, electronics, mechanics or other parts of the product; products that have been repaired by anyone other than CTEK or its authorized representatives; products that have been subject to the use of supplies and accessories other than those approved in writing or supplied by CTEK; improper use or non-compliance with installation, commissioning, operation or maintenance instructions (i.e. not according to the operation and installation manual); unauthorized modifications, changes or attempted repairs; vandalism, destruction through external influence and/or persons/animals; failure to observe applicable safety standards and regulations; faults caused by fire, water, snow, moisture, or other liquids except as specified for normal use; products where the serial number is defaced, altered or removed; any utilization of a product that is inconsistent with either the design of the product or the way CTEK intended the product to be used; any installation and/or modifications that prevent normal service of the product; normal wear and tear and cosmetic damage such as, but not limited to, corrosion, scratches, dents, rust, stains, non-functional parts such as, but not limited to, plastics and finishes; damage, fault, failure and/or imperfection caused by abuse, tampering, illegal use, negligence, prolonged use or operation; or faults in any other way caused by the customer/retailer/user.

ADDITIONAL INFORMATION

CTEK makes no other warranty than as set out herein and CTEK shall in no event be liable for any indirect or consequential damages. The faulty product shall be returned with the receipt to the retailer/place of purchase together with a fault description. Goods returned to CTEK will be at CTEK's discretion and only valid with an approved Return Material Authorisation (RMA) Reference Number issued by CTEK to the purchaser. Products sent directly to CTEK without an RMA will be returned to the sender at the sender's cost. The warranty period for a product is stated in the applicable product user manual supplied with the product. The warranty is only valid if the warranty period has not expired. If the warranty claim of a faulty product is not approved by CTEK, the product will be returned only if the sender explicitly so requests. The customer/retailer/place of purchase will pay the freight. Faulty products will be repaired, or replaced with an exchangeable product, and returned at CTEK's cost. If the warranty period has expired, the product will be returned without further investigation at the cost of the customer/retailer/place of purchase. Faulty products will be scrapped by CTEK if deemed not repairable. CTEK reserves the right to vary, modify or change the terms and conditions herein due to change(s) in availability of services, products and/or spare parts, or for the purpose of complying with applicable policies, rules, regulations and law, without notice.

NATIONAL USAGE RESTRICTIONS

Some countries, states or provinces have other electrical codes and standards than stated in this manual. The installation and usage of the product shall follow local regulations. The product is intended for use by general public. The product is intended for locations with both restricted access and non-restricted access.

COPYRIGHT

These instructions are delivered "as is" and contain content that can change without prior notice. CTEK Sweden AB does not guarantee that everything is correct in the instructions. CTEK Sweden AB is not responsible for faults or incidents or damage that is caused by not following the instructions in this manual.

© Copyright CTEK Sweden AB 2024. All rights restricted. Copying, adaption or translation of these instructions are strictly forbidden without written approval by CTEK Sweden AB, except what is regulated by copyright laws.

REVISIONS

The descriptions, information and specifications contained in this manual were in effect at printing. To make sure that the maintenance instructions are complete and up to date, always read the manual published on our website.

SUPPORT

CTEK offers a professional customer support. Get in touch using one of the following:



ctek.com/support

REPORTING CYBER-SECURITY ISSUES

The Product Security Incident Response Team (PSIRT) at CTEK is the central contact for customers, partners, and researchers of a potentially identified cybersecurity vulnerability in any CTEK product or supporting system.

To report any cyber-security issues/vulnerabilities, follow the link below:



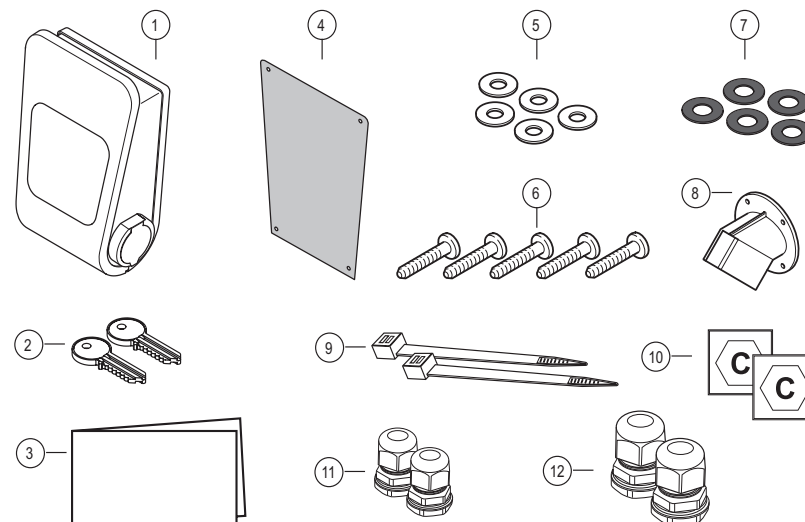
ctek.com/support/psirt



Läs noggrant igenom alla instruktioner i denna installationsmanual innan användning.

INNEHÅLL	17
OM CHARGESTORM® CONNECTED 3	18
SÄKERHET & ÅTERVINNING	19
INSTALLATION AV CHARGESTORM® CONNECTED 3	20
1. ÖPPNING AV TEKNISK LÅDA	20
2. MONTERING – VÄGG	20
3. MONTERING – STOLPE	21
4. FÖRBEREDELSE AV KABLAGE	21
5. ELEKTRISK KABLAGE INFO	22
6. TRE FAS	22
7. EN FAS	22
8. ETHERNET ANSLUTNING	23
9. STÄNGNING AV TEKNISKA LÅDAN	23
TESTNING OCH UNDERHÅLL AV CHARGESTORM® CONNECTED 3	24
1. INSTALLATIONSTEST	24
2. JORDFELETESTNING	24
3. UNDERHÅLLSTESTNING	24
CHARGESTORM® CONNECTED 3 KONFIGURATION	25
1. ANSLUTA VIA USB	25
2. ANSLUTA VIA WI-FI	25
3. KONFIGURERA BEGRÄNSNING AV STRÖM	25
4. KONFIGURERA ETHERNETANSLUTNING	26
5. KONFIGURERA MODEMANSLUTNING	26
6. KONFIGURERA WIFI-ANSUTNING	26
7. KONFIGURERA ENDPUNKT OCH LADDBOX-ID	27
8. KONFIGURERA FASORIENTERING	27
9. KONTROLLERA STATUS FÖR TAMPER-SKYDD	27
10. ÄNDRING AV LÖSENO RD	28
11. ÅTERSTÄLLA LÖSENO RD	28
12. UTFÖR FABRIKSÅTERSTÄLLNING	28
TEKNISK SPECIFIKATION	29
GARANTI & SUPPORT	30
BEGRÄNSAD GARANTI	30
OMSTÄNDIGHETER SOM UPPHÄVER BEGRÄNSAD GARANTI	30
TILLÄGGSINFORMATION	30
NATIONELL ANVÄNDNING	30
UPPHOVS RÄTT	30
REVISIONER	30
SUPPORT	30
RAPPORTERING AV CYBERSÄKERHETSFRÅGOR	30

VAD FINNS I LÅDAN



NR. INNEHÅLL

1	Laddstationen CHARGESTORM® CONNECTED 3
2	Två nycklar
3	Kom-igång-guide
4	Borrmall
5	Fem brickor
6	Fem M6 monteringskruvar
7	Fem gummipackningar
8	Hållare för laddkabel (endast för kabelanslutna varianter)
9	Buntband för datakablar
10	Märketiketter för laddaruttag
11	Kabelgenomföringar för datakablar
12	Kabelgenomföringar för elkablar

TACK FÖR ATT DU VALT CTEK

Vårt varumärke: CTEK är det ledande globala varumärket inom laddningsteknik för fordon

Våra medarbetare: Våra medarbetare driver ständigt forskning och utveckling framåt för att skapa de mest avancerade lösningarna för elfordonsladdning som finns tillgängliga idag. De utvecklas här i Sverige, från vårt huvudkontor i Dalarna och vårt E-mobilitetscentrum i Norrköping.

Våra kunder: Våra kunder kommer från olika marknader och inkluderar kommuner, energibolag, bostadsrättsföreningar, kommersiella fastighetsägare, företag, parkeringsbolag samt privatpersoner.

Våra produkter: Våra produkter håller världsklass och innehåller banbrytande teknik. De kännetecknas av kvalitet, säkerhet, tillförlitlighet och enkel användning.

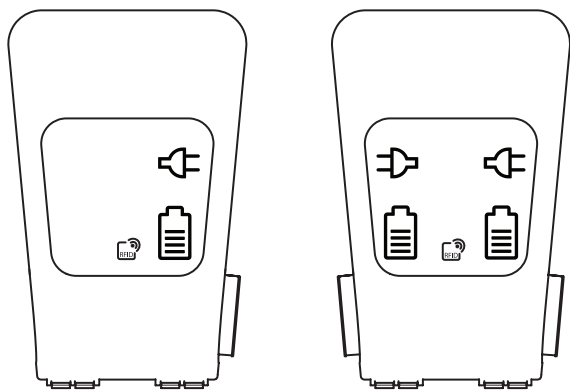
För att lära dig mer om CTEK och våra produkter, besök gärna: www.ctek.com



OM CHARGESTORM® CONNECTED 3

PRODUKTBESKRIVNING

CHARGESTORM® CONNECTED 3 är en avancerad laddstation för elfordon.



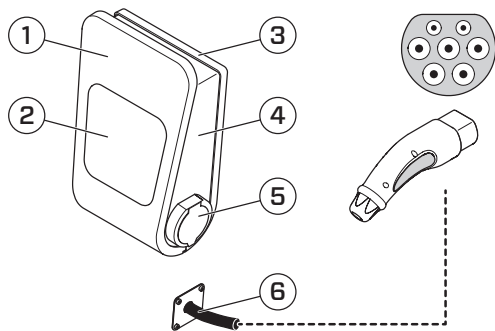
Laddstationen finns i flera varianter beroende på antal och typ av uttag som krävs (Typ 2-uttag, fast installerad Typ 2-kontakt). För en komplett lista över artikelnummer, ladda ner databladet på www.ctek.com.

CHARGESTORM® CONNECTED 3 är en förbättrad och uppdaterad version av CTEK avancerade EV-laddare med en rad funktioner och inbyggda säkerhetsfunktioner. Den har en kraftfull laddkontroller som kan hantera dubbla Typ 2-uttag och erbjuder lastbalansering med stöd från NANOGGRID™.

AVSEDD ANVÄNDNING

Denna laddstation är avsedd för väggmontering eller stolpmontage. Laddstationen är avsedd för både platser med och utan restriktioner, både inomhus och utomhus. Laddstationen ska endast användas med Typ 2-laddkablar och är endast avsedd för laddning av elektriska och hybridfordon.

ÖVERSIKT



NO.	ARTIKEL
1	Front Panel
2	Display med laddningsstatusymboler
3	Bakre kåpa
4	Teknisk låda
5	Elfordonsuttag
6	Elfordonskabel med fast Typ 2-kontakt

SYMBOLSTATUS

SYMBOL	FÄRG	LÄGE	FÖRKLARING
	Fast Grön	RFID/ Öppen	Tillgänglig och redo för laddning.
	Blinkande Grön	RFID/ Öppen	Fordonsanslutning upptäcktes.
	Dämpad Grön	RFID	Autentisering pågår på ett annat uttag.
	Fast Röd	RFID/ Öppen	Uttagsfel upptäckt.
	Blinkande Röd	RFID/ Öppen	Uttagsfel upptäckt med ett fordon anslutet. Fordonet bör kopplas i och ur för att försöka åtgärda felet.
	Fast Blå	RFID/ Öppen	Fordon anslutet men laddar inte (till exempel, fordonet är fulladdat eller laddningssessionen är pausad).
	Pulserande Blå	RFID/ Öppen	Laddning pågår.
	Blinkande Blå	RFID/ Öppen	Laddstationen har kopplats till molnbaserad backend. Visas endast under uppstart. Blinkningen pågår i 5 sekunder.
	Av	Öppen	Autentisering krävs inte.
	Fast Grön	RFID	Väntar på RFID-tag.
	Blinkande Gul	RFID	Autentisering pågår. Vänligen vänta!
	Blinkande Grön en gång	RFID	RFID-tag godkänd. Laddning kommer nu att starta.
	Blinkande Röd en gång	RFID	RFID-tag åtkomst nekad (användare ej behörig för laddning).

NOTIS: Om laddstationen inte har några aktiva symboler är laddstationen inaktiv. Detta kan bero på att den har konfigurerats på det sättet, att laddstationen startar om, eller att laddstationen har avaktiverats för planerat underhåll.



SÄKERHET

⚠ LÄS ALLA SÄKERHETS- OCH ANVÄNDARINSTRUKTIONER INNAN ANVÄNDNING

- ⚠ Laddaren är endast designad för elfordon enligt den tekniska specifikationen. Använd inte laddaren för något annat ändamål.
- ⚠ Laddaren har en inbyggd modulär RCD Typ B (EN 60947-2), AC 30 mA, DC 6 mA.
- ⚠ Laddaren har inte inbyggd PME-felavkänningsenhet.
- ⚠ Följ alltid fordonstillverkarens användar- och säkerhetsrekommendationer.
- ⚠ Vid höga temperaturer bestämmer laddstationens algoritm den optimala laddströmmen. Detta minskar risken för överhettning och skador på laddstationen utan att förhindra användning av enheten.
- ⚠ Ladda aldrig ett skadat elfordon.
- ⚠ Använd aldrig en laddare med skadade kablar. Se till att kablarna inte har skadats av varma ytor, vassa kanter eller på något annat sätt.
- ⚠ En skadad kabel måste bytas ut av en CTEK-representant med en originaldel som tillhandahålls av CTEK.
- ⚠ Anslutning till elnätet måste ske i enlighet med nationella föreskrifter för elinstallationer.
- ⚠ Endast en behörig elektriker får utföra installationen som beskrivs i detta dokument.
- ⚠ Läs och följ instruktionerna i detta dokument innan installation och drift av produkten.
- ⚠ Installation måste uppfylla lokala säkerhetsföreskrifter.
- ⚠ Använd inte adaptrar, konverteringsadaptrar, eller förlängningssladdar med denna produkt, i enlighet med kraven i standarden EN 61851.
- ⚠ Denna laddstation har inte ventilerad laddning.
- ⚠ Se till att kablarna i laddstationen inte har lossnat på grund av vibrationer under transport. Om några kablar är lösa, återanslut kablarna och dra åt skruvarna.
- ⚠ Installation rekommenderas att utföras av två personer.
- ⚠ Använd lämplig personlig skyddsutrustning (PPE) under installationen.

AVFALLSHANTERING AV ENHETEN

DIN SKYLDIGHET SOM SLUTANVÄNDARE



Produkter märkta med en överkorsad soptunna på hjul och en enda svart stapel under, innehåller delar som måste hanteras i enlighet med WEEE-direktivet (2012/19/EU). Apparaten får därför endast hämtas och återlämnas separat från osorterat kommunalt avfall, den får alltså inte slängas tillsammans med hushållsavfallet. Apparaten kan till exempel lämnas till en kommunal insamlingsplats eller i förekommande fall till en distributör.

Detta gäller även alla komponenter, underenheter och förbrukningsmaterial i den gamla apparaten som ska bortskaffas. Innan den gamla apparaten kan kasseras måste alla gamla batterier och ackumulatörer som inte är inneslutna i den gamla apparaten separeras från den gamla apparaten. Detsamma gäller lampor som kan tas bort från den gamla apparaten utan att förstöras. Slut användaren är också ansvarig för att radera personuppgifter från den gamla apparaten.

ANVISNINGAR OM ÅTERVINNING



Hjälp till att återvinna allt material som är märkt med denna symbol. Släng inte sådant material, särskilt förpackningar, i hushållsavfallet utan i de medföljande återvinningsbehållare eller i lämpliga lokala insamlingsystem.

Återvinn elektrisk och elektronisk utrustning för miljö- och hälsoskydd.

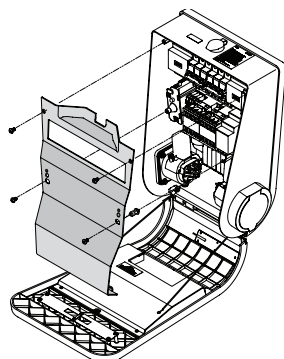


INSTALLATION AV CHARGESTORM® CONNECTED 3

1 ÖPPNING AV DEN TEKNISKA LÅDAN



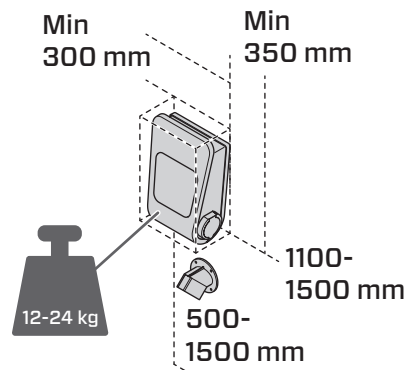
1. Lås upp och öppna den tekniska lådan med den medföljande nyckeln.



2. Ta försiktigt bort skyddskåpan genom att lossa hållskruvarna och återställa låset till låst läge.

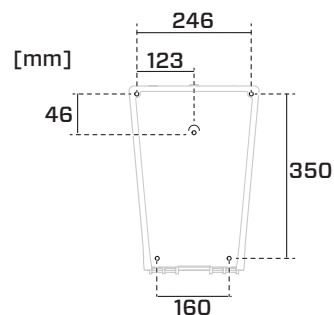
NOTIS: T25-skruvmejsel behövs för att ta bort skyddskåpan.

2 MONTERING – VÄGG



1. Bestäm en lämplig installationsposition för att ge tillräckligt med utrymme runt den tekniska lådan för daglig användning och underhållsåtkomst.

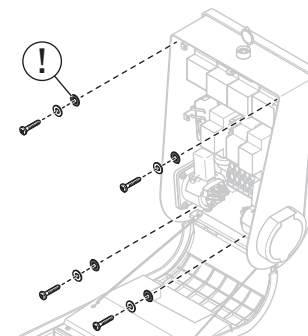
När du installerar på en vägg, se till att väggmaterialet är lämpligt för montering av lådan. Väggen måste klara vikten av laddstationen.



2. Borra fem hål i väggen som är i linje med platserna som visas i bormallen.



3. Fäst en medföljande M6-skruv i det mittersta hålet på väggen och använd den som en krok för att fästa den tekniska lådan på väggen.



4. Fäst den tekniska lådan på väggen med de återstående fyra M6-skruvarna, först med gummipackningarna och sedan med brickorna.

WARNING: Installera inte laddstationen utan gummipackningarna. Annars kan vatten tränga in i laddstationen och orsaka skador.

5. Se till att laddstationen är ordentligt installerad på väggen.

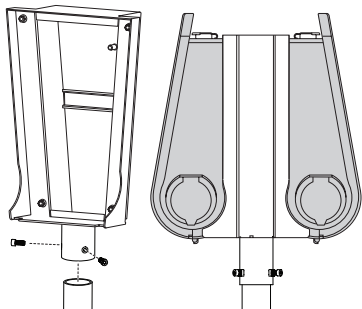
6. Se till att täcka alla öppna hål med silikon eller gummipackningar för att skydda laddstationen mot vatten.



3 MONTERING – STOLPE

NOTIS: För mer detaljerade instruktioner för installation på en stolpe, se instruktionerna för stolpfäste.

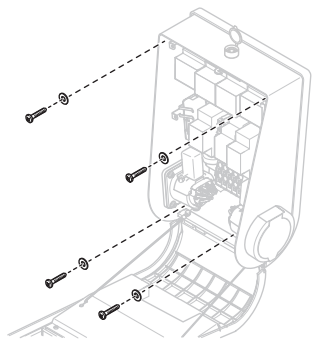
1. Förbered och installera monteringsstolparna enligt de angivna specifikationerna.



2. Fäst monteringsfästet med de två skruvarna som medföljer fästet.

NOTIS: H4-skruvmejsel eller 4 mm insexnyckel krävs för att dra åt skruvarna. Skruvarna ska dras åt till 5–7 Nm.

WARNING: Monteringsfästet måste jordsättas i enlighet med dina lokala installationsstandarder.

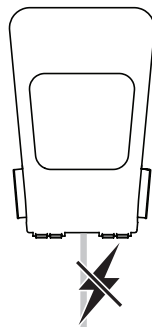


4. Fäst den tekniska lådan på fästet med de fyra M6-skruvarna och brickorna.

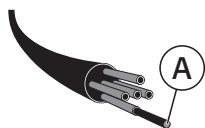
5. Se till att laddstationen är ordentligt installerad på stolpen.

6. Se till att täcka alla öppna hål med silikon eller gummipackningar för att skydda laddstationen mot vatten.

4 FÖRBEREDELSE AV KABLAGE



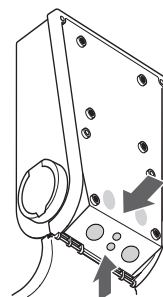
1. Innan arbetet påbörjas, se till att elförsörjningen är avstängd och låst innan något kablarbete utförs för att förhindra oönskad aktivering.



$A \leq 25 \text{ mm}^2$
(single cable)

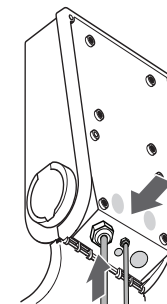
$A \leq 16 \text{ mm}^2$
(daisy chain)

2. Säkerställ att kabeln är dimensionerad för den önskade belastningen. Konsultera lokala installationsregler för vägledning. Största ledarstorlek (A) är 25 mm^2 men maximalt 16 mm^2 vid koppling i kedja.



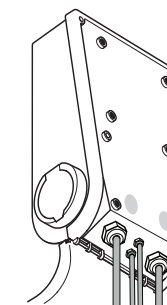
3. El- och datakablar kan matas in i stationen genom de genomslagna hålen i botten och bak på den tekniska lådan.

NOTIS: Laddaren möjliggör att el och data kopplas i kedja. I detta fall kan upp till två elkablar och upp till två datakablar matas in i den tekniska lådan.



4. Installera de medföljande kabelgenomföringarna i hålen för att skydda enheten från damm och vatteninträning.

NOTIS: Kabelgenomföringar behövs inte när du använder CTEK stolpfästen.



5. Om du kopplar ihop el- och/eller datakablar, använd ytterligare medföljande kabelgenomföringar vid behov.

NOTIS: Kabelgenomföringar behövs inte när du använder CTEK stolpfästen.



5 ELEKTRISK KABLAGE INFO

För att arbeta med kopplingsplinten krävs ett långsträckt T20-skruvhuvud. Alla plintar ska dras åt till 2,5 Nm.

Endast kopparledare stöds.

Maximal trådtvårsnittare (utan hylsor): 25mm²

Maximal trådtvårsnittare (med hylsor): 16mm²

Maximal strömmärke för plint är 101A.

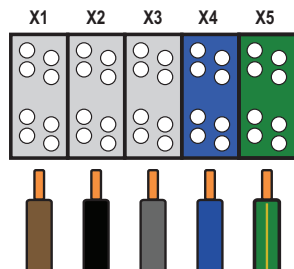
Om en enda kabel används (ingen seriekoppling) kan max 25 mm² kablar användas för att förse laddningsstationen med ström.

Om två kablar används (daisy chaining) kan max 16mm² kablar användas för att förse laddningsstationen med ström.

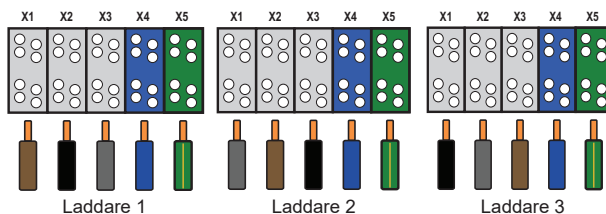
6 TRE FASER

NOTIS: Denna kablingskonfiguration är möjlig på alla varianter av CC3.

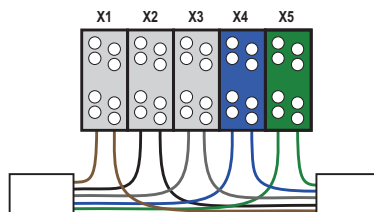
1. Skala varje ledning, så att cirka 18-20 mm koppar exponeras. Om mjuka flätade kablar används, måste ändhylsor användas för att göra anslutningen.



2. Installera kablarna enligt diagrammet som visas ovan.



WARNING: Om flera laddare installeras på en och samma plats (oavsett om de kopplas i kedja eller är oberoende matade), bör fasanslutningarna roteras enligt diagrammet ovan mellan laddarna för att förhindra att någon enskild fas överbelastas.

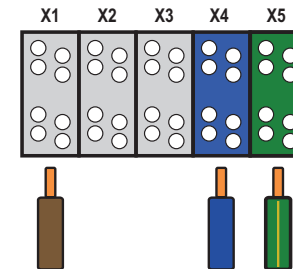


3. När el kopplas mellan laddarna i kedja kan varje anslutningsblock ta emot upp till två 16 mm² ledare. Fasrotation måste beaktas mellan laddarna.

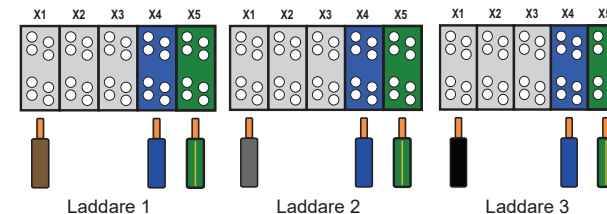
7 EN FAS

NOTIS: Denna kablingskonfiguration är inte tillåten på varianterna 88-645 och 88-647 av CC3.

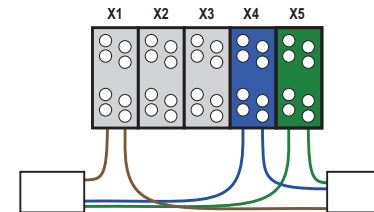
1. Skala varje ledning, så att cirka 18-20 mm koppar exponeras. Om mjuka flätade kablar används, måste ändhylsor användas för att göra anslutningen.



2. Installera kablarna enligt diagrammet som visas ovan.



WARNING: Om flera laddare installeras på en och samma plats (oavsett om de kopplas i daisy chain eller är individuellt matade), måste fasanslutningarna roteras enligt diagrammet ovan mellan laddarna för att förhindra att någon enskild fas överbelastas.

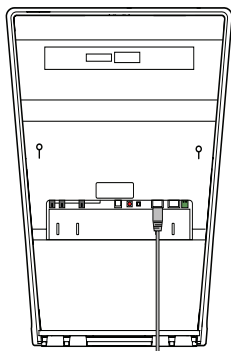


3. När el kopplas mellan laddarna i daisy chain kan varje anslutningsblock ta emot upp till två 16 mm² ledare. Fasrotation måste beaktas mellan laddarna.

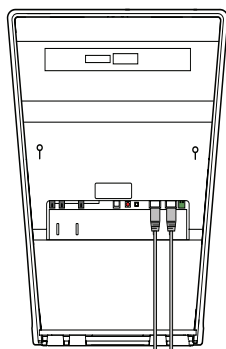
4. Konfigurera fasorienteringen genom att ansluta till EVSE och följa artikel 8 "Konfigurera Fasorientering" i avsnittet "Konfiguration av CHARGESTORM® CONNECTED 3".



8 ETHERNET ANSLUTNING



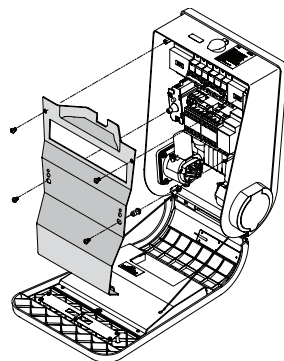
1. Om en fast nätverksanslutning används, ska ethernetkabeln anslutas till en av ethernetportarna på CCU i laddarens lock.



2. Om nätverksanslutningen kopplas i en daisy chain kan två ethernetkablar anslutas till CCU.

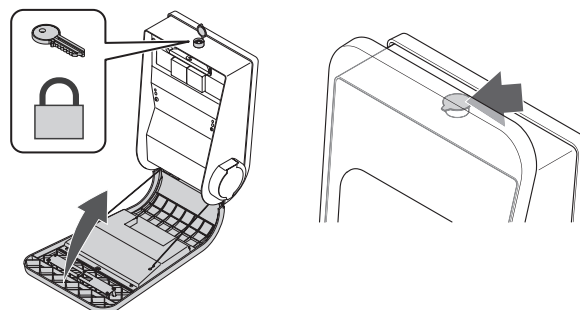
NOTIS: När flera laddare installeras på en och samma plats kan internetdatadelning aktiveras för att låta en laddare med ett aktiverat SIM-kort dela internetåtkomst med andra laddare som är anslutna till den via ethernetkablar.

9 STÄNGNING AV DEN TEKNISKA LÅDAN

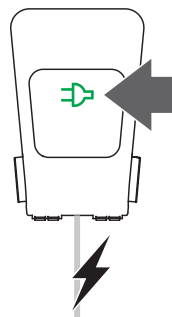


1. Återinstallera skyddskåpan försiktigt.

NOTIS: T25-skruvmejsel behövs för att återinstallera skyddskåpan.



2. Stäng frontluckan och lås den på plats med nyckeln. Se till att låskåpan sitter ordentligt.



3. Sätt på laddaren. Låt den starta helt under upp till 2 minuter.

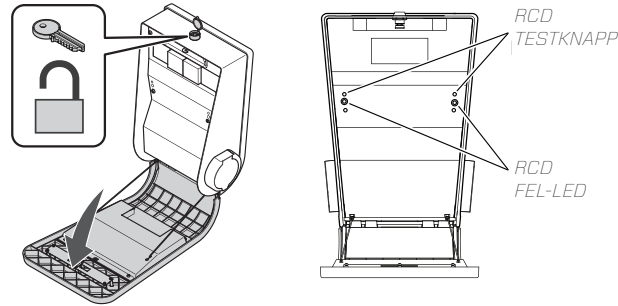


TESTNING OCH UNDERHÅLL AV CHARGESTORM® CONNECTED 3

1 INSTALLATIONSTESTNING

- Se till att laddstationen är ordentligt monterad på väggen/stolpen.
- Kontrollera anslutningen av elkabeln och nätverkskabeln. Dra åt kabelgenomföringen om det behövs.
- Om installationen är en Nanogrid Home-setup, kontrollera kommunikationen mellan den externa energimätaren och laddaren.
- Ladda ett fordon. Kontrollera strömmen och se till att laddningssymbolerna på displayen fungerar korrekt.
- Funktionstest av RFID.
- Testa internetanslutningen (4G/Router/Ethernet).
- Se till att väderskyddet på låset är korrekt tätat.
- Se till att displayen är belyst.
- När fordonet laddas, se till att RCD-LED-lamporna på skyddskåpan är gröna.
- Tryck på knappen på skyddskåpan för att testa jordfelsbrytarfunktionen. Laddningen ska stoppas. För att återställa, koppla ur och koppla tillbaka laddkabeln.

2 JORDFELETTESTNING



För att testa jordfelskyddet (Residual Current Protection) ska RCD TESTKNAPPEN för varje uttag tryckas in.

Att trycka på knappen kommer att introducera felet, och RCD FEL-LED kommer att bli röd.

Om RCD TESTKNAPPEN trycks in medan ett fordon laddas, kommer den röda kontaktsymbolen på den främre LED-panelen också att aktiveras.

För att återställa RCD FEL-LED måste ett fordon vara anslutet till laddaren, och en ny laddningssession måste startas. Om ett fordon var anslutet till EVSE när testet utfördes, måste det återanslutas och en ny laddningssession måste startas. Alternativt kan EVSE återställas genom att koppla bort och återansluta strömförsörjningen.

Under normala förhållanden är RCD FEL-LED grön. Om ett jordfel upptäckts eller ett test initieras, kommer RCD FEL-LED att ändras till röd. Uttaget med upptäckt jordfel kommer inte att fungera.

3 UNDERHÅLLSTESTNING

- Underhåll av produkten måste utföras en gång per år.
- Se till att ladduttaget/laddkabeln är i gott skick.
- Byt ut ladduttaget/laddkabeln om det är nödvändigt.
- Kontrollera gummitätningarna. Ta bort eventuell smuts från gummitätningen.
- Om det behövs, uppdatera mjukvaran.
- Kontrollera kabelgenomföringen. Dra åt om det är nödvändigt.
- Eventuella skadade komponenter måste bytas ut med CTEK-godkända eller originaldelar.



1 ANSLUTA VIA USB

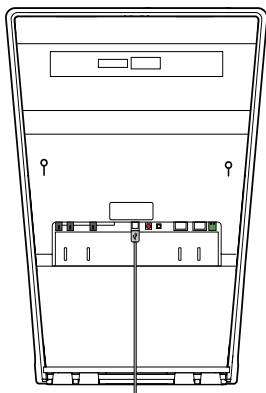
Nödvändig utrustning:

- PC/Laptop (Windows/Linux/Mac OS)
- USB C-kabel

NOTERA: Windows-datorer/laptops kräver drivrutinsinstallation om enheten inte har använts tidigare för konfiguration. Drivrutiner med detaljerade instruktioner kan laddas ner från www.ctek.com.

Denna metod för anslutning kan användas för att konfigurera laddare före eller efter installation, eftersom CCU kan strömförsörjas med en USB C-kabel.

NOTERA: Om CCU endast strömförsörjs via USB C-kabeln kan alla parametrar för laddaren konfigureras, men vissa interna enheter kommer inte att vara operativa för testning, t.ex. Wi-Fi, intern modem etc.



1. Anslut USB C-kabeln till CCU och en påslagen PC/laptop.
2. Om laddaren var avstängd, låt CCU starta upp i upp till 2 minuter.
3. Använd den webbläsare du föredrar för att navigera till <http://192.168.7.2> och logga in med den unika inloggningen och lösenordskombinationen som medföljer laddaren.

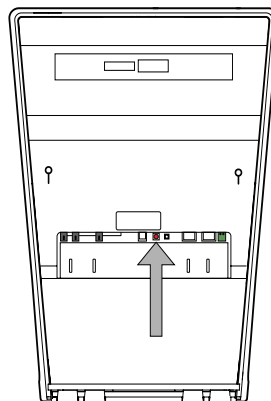
NOTERA: CTEK rekommenderar webbläsaren Google Chrome för denna åtgärd.

2 ANSLUTA VIA WI-FI

Krävd utrustning:

- En enhet med Wi-Fi-funktionalitet

Denna anslutningsmetod kan användas för att konfigurera laddare ENDAST efter att installationen har genomförts och laddaren kan vara påslagen.



1. Tryck och håll inne Service-knappen i 0,5-3 sekunder. När Service-knappen släpps kommer LED-lampan bredvid knappen att börja blinka grönt, vilket indikerar att ett hotspot har skapats.

WARNING: Om Service-knappen hålls nere för länge kommer det att resultera i en fabriksåterställning. I så fall kommer LED-lampan att lysa rött.

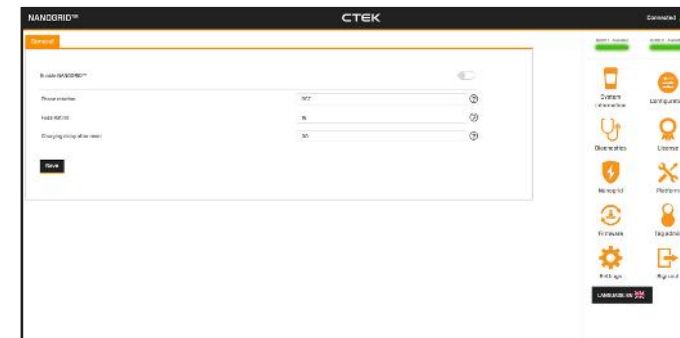
2. Anslut den valda Wi-Fi-kompatibla enheten till det skapade trådlösa nätverket (CTEK CC3 Serienummer).

3. Använd den webbläsare du föredrar för att navigera till <http://192.168.7.2> och logga in med den unika inloggnings- och lösenordskombination som medföljer laddaren.

NOTERA: CTEK rekommenderar webbläsaren Google Chrome för denna åtgärd.

WARNING: Anslutningsprocessen måste upprepas varje gång nya inställningar sparas och CCU återställs.

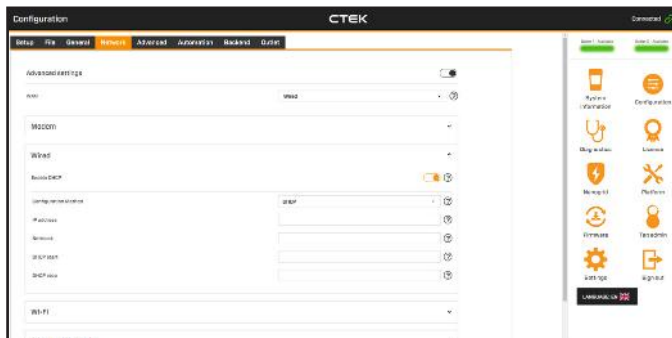
3 KONFIGURERA BEGRÄNSNING AV STRÖM



1. Navigera till Nanogrid-meny.
2. Se till att alternativet Aktivera NANOGRID är inaktiverat. Om CTEK lasthantering ska användas, se NANOGRID-manualen.
3. Ange värdet för huvudsäkring. Den totala effekten från stationen får inte överskrida det angivna värdet.
4. Spara inställningarna längst ner på sidan.

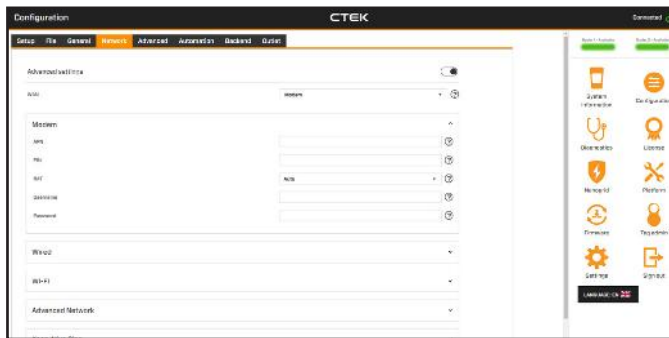


4 KONFIGURERA ETHERNET-ANSLUTNING



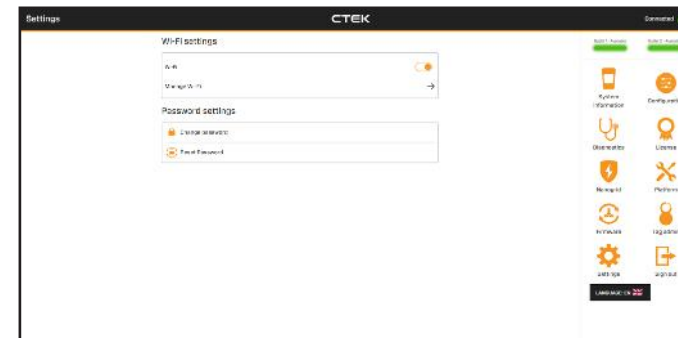
1. Navigera till konfigurationsmenyn.
2. Gå till fliken Nätverk.
3. Välj "Wired" i rullgardinsmenyn WAN.
4. Om några ytterligare plats-specifika inställningar krävs, öppna rullgardinsmenyn "Wired" för att ange parametrarna.
5. Scrolla ner till botten av sidan för att spara inställningarna.

5 KONFIGURERA MODEMANSLUTNING

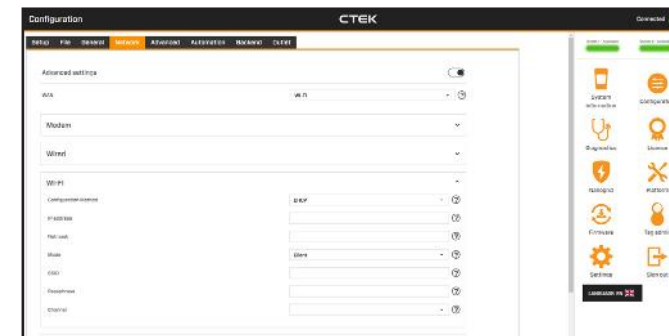


1. Navigera till konfigurationsmenyn.
2. Navigera till nätverksfliken.
3. Välj modem i rullgardinsmenyn för WAN.
4. Öppna rullgardinsmenyn för modem och ange inställningarna som tillhandahålls av SIM-kortleverantören
5. Bläddra till botten av sidan för att spara inställningarna.

6 KONFIGURERA WIFI-ANSUTNING



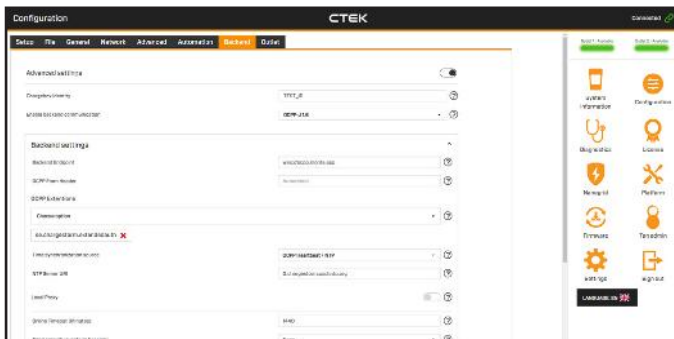
1. Navigera till inställningsmenyn.
2. Aktivera Wi-Fi-reglaget.
3. Klicka på Hantera Wi-Fi och anslut till det önskade Wi-Fi-nätverket



4. Navigera till inställningsmenyn.
5. Navigera till fliken Nätverk.
6. Välj Wi-Fi i rullgardinsmenyn WAN.
7. Om några ytterligare plats-specifika inställningar krävs, öppna rullgardinsmenyn Wi-Fi för att ange parametrarna.
8. Scrolla till botten av sidan för att spara inställningarna.

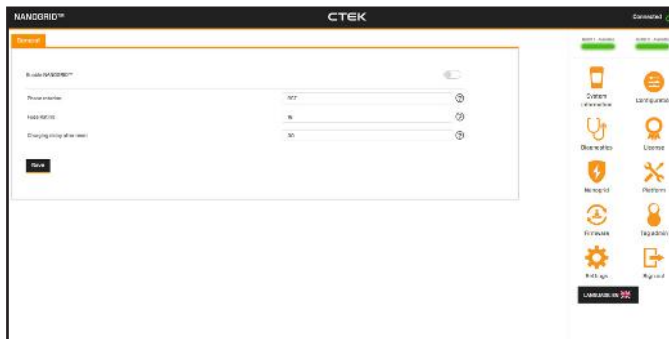


7 KONFIGURERA ENDPUNKT OCH LADDBOX-ID



1. Navigera till konfigurationsmenyn.
2. Aktivera växeln för avancerade inställningar.
3. Navigera till fliken Backend.
4. Ange det erforderliga ladduppsättnings-ID (standardinställt till laddarens serienummer).
5. Öppna rullgardinsmenyn för backend-inställningar och ange inställningar som tillhandahålls av backend-programvaruleverantören.
6. Rulla ner till botten av sidan för att spara inställningarna.

8 KONFIGURERA FASORIENTERING



1. Navigera till Nanogrid-menyn.
2. Se till att växeln Aktivera NANOGRID är avstängd. Om CTEK lasthantering kommer att användas, se NANOGRID-manualen.
3. Ange fasorienteringen som krävs.

Faserna kallas RST, där:

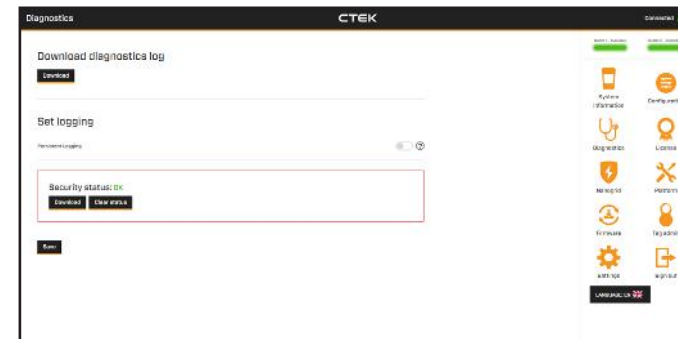
REFERENS	FAS
R (Referens)	L1
S (Sekundär)	L2
T (Tertiär)	L3

För trefasanslutningar är förväntade värden: RST, STR, TRS

För enfasanslutningar är förväntade värden: Rxx, Sxx eller Txx

4. Spara inställningarna längst ner på sidan.

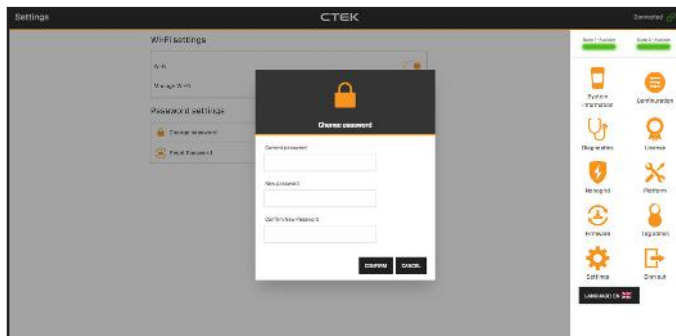
9 KONTROLLERA STATUS FÖR TAMPER-SKYDD



1. Navigera till menyn Diagnostik.
2. Kontrollera säkerhetsstatus. Om statusen är inställd på OK har det inte registrerats några tillfällen av öppning av stationen. Om statusen är inställd på Alert har tamper-skyddet aktiverats.
3. Ladda ner säkerhetsloggen om det behövs.
4. Tryck på Återställ status för att återställa värdet till standardpositionen.



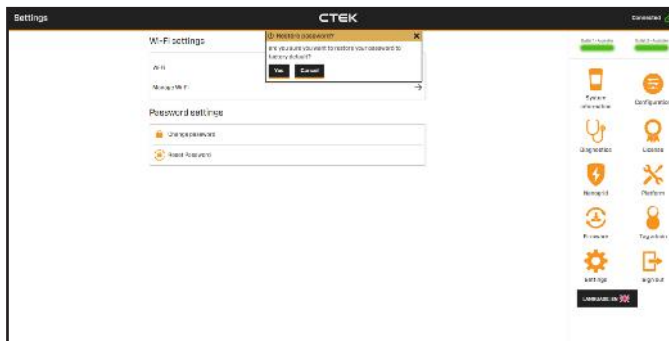
10 ÄNDRING AV LÖSEWORD



1. Navigera till inställningsmenyn.
2. Klicka på Ändra lösenord.
3. Ange det nuvarande lösenordet och det nya lösenordet två gånger.
4. Klicka på Bekräfta.

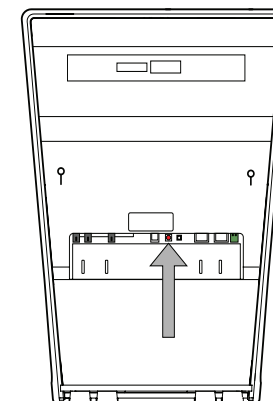
OBS: Om lösenordet ändras, se till att det lagras säkert. Manualen för att komma igång innehåller en sektion där det nya lösenordet kan noteras. CTEK rekommenderar starkt att inte fästa etiketter med lösenord inuti den tekniska lådan.

11 ÅTERSTÄLLA LÖSEWORD



1. Gå till inställningsmenyn.
2. Klicka på Återställ lösenord.
3. Välj Ja i popup-rutan.

12 UTFÖR FABRIKSÅTERSTÄLLNING



1. Se till att laddaren inte är ansluten till några enheter via USB C-kabel.
2. Tryck och håll ned serviceknappen i 10 sekunder. När den släpps kommer den röda LED-lampan att börja blinka för att indikera att inställningarna återställs till fabriksinställningarna.



ELEKTRISK ANSLUTNING

Märkspänning	TN/TT: 230/400 V AC 50Hz Max 64 A (beror på modell)
Utgång	AC
Ansluten till AC-nätverk	Ja
Permanent ansluten till elnätet	Ja
Laddström	Upp till 32 A per uttag
Nätanslutning	TN/TT: L1,L2,L3,N,PE
Säkringar	C-karakteristik Brytförmåga 6kA Mode 3: 32A
Nominell frekvens, f_n	50 Hz
Nominell spridningsfaktor, RDF	1
Nominell isolationsspänning, U_i	250/400 V
Nominell hållspänning vid stöt, U_{imp}	4 kV
Märkbelagd kortslutningsström, I_{cc}	6 kA
Märkbelagd restkortslutningsström, $I_{\Delta c}$	6 kA
Maximal förväntad kortslutningsström, I_{cp}	6 kA
Överspänningskategori	III

MEKANIK

Vikt	Upp till 24 kg (beroende på modell)
Mått H x B x D	449 x 282 x 160 mm
Material	Front- och bakstycke i ABS-plast. Färgad zinkoxidmetallbox för elektronik.
Kapslingsklass	IP54
Omgivningstemperatur under drift	-30°C till +50°C
Höjd	< 2000 m
Relativ luftfuktighet	Upp till 100 % at +25°C
Förvaringstemperatur	-30°C till +50°C
Slagtålighet	IK10

GRÄNSSNITT

EV-kontakt	Ett eller två Typ 2-uttag eller fasta Typ 2-kablar
Display	LED-symboler
Kapslingslås	Mekaniskt lås med nyckel
Energimätare	MID-godkänd
RFID-tagstandard:	Milfare 1k, Milfare 1k+, Milfare Classic. 13,5 MHz.
Anslutningar	4G: Frekvensband: LTE Cat-1, B3 B8 B20, effektklass: 23 dBm. Fallback GSM/GPRS/EDGE 900 MHz (max: 2W) 1800 MHz (max: 1W) WiFi 2402-2482MHz, max uteffekt 100mW (+23dBm) Dubbla Ethernet-portar
RF-exponering	Användare rekommenderas att hålla sig minst 20 cm från enheten under drift

KOMPATIBILITET

Överensstämmelse	EN 61851-1, EN 62196-2, EN 61439-7, CE
Godkännande	Ladda ner försäkran om överensstämmelse från www.ctek.com
Laddningsmetod	Mode 3
Skydd mot elektriska stötar	Klass I-utrustning
Kommunikationsprotokoll	OCPP 1.6
Föreningegrad	3

SÄKERHET

Jordfelsbrytare	Inbyggd modulär RCD Typ B (EN 60947-2), AC 30 mA, DC 6mA
Märkt tillslags- och brytförmåga, I_m	200 A kontaktor

ÖVERSTRÖMS- OCH KORTSLUTNINGSSKYDD

Märkström, I_n	Se specifik data för respektive del
Karakteristik	C
Nominell kortslutningskapacitet, I_{cn}	6 kA
Nominell brytförmåga vid kortslutning, I_{cs}	7.5 kA
Genomsläppt energi, I^2t	36000 A ² s

ÖVERENSSTÄMMELSE

Härmed försäkras CTEK Sweden AB att radioutrustningstypen, CHARGESTORM CONNECTED 3 modell 3010, överensstämmer med direktiv 2014/53/EU (Radioutrustningsdirektivet - RED).

Den fullständiga texten av EU-försäkran om överensstämmelse finns tillgänglig på följande internetadress: <https://www.ctek.com/uk/quality/doc>

KOMPLEMENTSPECIFIK DATA

ART.NR	MÄRKT SPÄNNING, U_n	MÄRKSTRÖM, I_{nA}	VÄNSTER UTTAG	HÖGER UTTAG
88-645**	400 V	32 A	-	Uttag, 3 f, 230/400 V, 32 A
88-647**	400 V	64 A	Uttag, 3 f, 230/400 V, 32 A*	Uttag, 3 f, 230/400 V, 32 A*
40-645	230/400 V	32 A	-	Uttag, 3 f, 230/400 V, 32 A
40-647	230/400 V	64 A	Uttag, 3 f, 230/400 V, 32 A*	Uttag, 3 f, 230/400 V, 32 A*
40-646	230/400 V	32 A	-	Kabel, 3 f, 230/400 V, 32 A
40-648	230/400 V	64 A	Kabel, 3 f, 230/400 V, 32 A*	Kabel, 3 f, 230/400 V, 32 A*

*Förväntad minsta laddström vid 20°C omgivningstemperatur är 19 A per uttag när båda uttagen används. Vid en omgivningstemperatur på 50°C är laddströmmen per uttag begränsad till 11 A.

** Enfasinkoppling stöds inte.



GARANTI & SUPPORT

BEGRÄNSAD GARANTI

CTEK tillhandahåller produktens ursprungliga köpare en begränsad garanti. Garantitiden är kopplad till produkten. Garantin kan ej överlätas. Garantin gäller tillverknings- och materialfel. Garantin slutar gälla om produkten hanteras vårdslöst eller repareras av någon annan än CTEK eller dess auktoriserade representanter. CTEK lämnar inga andra garantier än denna begränsade garanti och ansvarar inte för andra kostnader än de ovannämnda, det vill säga inga kostnader för följskador. CTEK lämnar dessutom inga andra garantier än denna.

FÖRHÅLLANDEN SOM FÖRVERKAR DEN BEGRÄNSADE GARANTIN

Om produktens försegling har brutits, avsiktligt skadats eller på något sätt ändrats eller modifierats, inklusive kablar, elektronik, mekanik eller andra delar av produkten; produkten har reparerats av någon annan än CTEK eller dess auktoriserade representanter; produkter som används tillsammans med annan utrustning och/eller annat/andra tillbehör än de som skriftligen godkänts eller tillhandahållits av CTEK; felaktig användning eller underlåtenhet att följa instruktioner avseende installation, driftsättning, drift eller underhåll (det vill säga ej i enlighet med installations- och bruksanvisningen); otillåtna modifikationer, ändringar eller försök till reparation; vandalisering; förstörelse genom yttre påverkan och/eller personer/djur; underlåtenhet att följa tillämpliga säkerhetsnormer och regler; fel orsakade av eld, vatten, snö, fukt eller andra vätskor förutom de som specificerats för normal användning; produkter där serienumret har gjorts oläsligt, förändrats eller agits bort; varje slags användande av produkten som inte överensstämmer med antingen produktens konstruktion eller det sätt CTEK avsåg produkten att användas; varje installation och/eller modifikation som förhindrar normal service av produkten; normalt slitage och kosmetiska skador såsom, men inte begränsat till, korrosion, repor, märken, rost, fläckar; icke-fungerande delar såsom, men inte begränsat till, plast och ytfinish; skada, fel, avbrott, brist orsakad av vårdslös hantering, manipulation, illegal användning, försumlighet, för långvarig användning eller drift; eller fel som på något annat sätt orsakats av kunden/återförsäljaren/ användaren.

YTTERLIGARE INFORMATION

CTEK tillhandahåller inte några andra garantier än de som beskrivs i detta dokument och CTEK ska under inga omständigheter hållas ansvarigt för indirekta skador eller följskador. Den defekta produktenska returneras med kvitto till återförsäljaren/inköpsplatsen tillsammans med en felbeskrivning. Varor som returneras till CTEK står under CTEK:s ansvar och är giltiga endast tillsammans med ett godkänt returnummer utfärdat av CTEK till köparen. Produkter som skickas direkt till CTEK utan returformulär returneras till avsändaren på avsändarens bekostnad. Garantitiden för en produkt beskrivs i manualen som medföljer produkten vid everans. Garantin gäller endast om garantitiden inte har utgått. Om CTEK inte godkänner reklamationen av en defekt produkt, returneras produkten endast om avsändaren uttryckligen önskar detta. Kunden/återförsäljaren/inköpsstället betalar frakten. Defekt produkt repareras eller ersätts med likvärdig produkt och returneras på CTEK:s bekostnad. Om garantitiden har utgått returneras produkten utan vidare undersökning på kundens/återförsäljarens/inköpsplatsens bekostnad. CTEK skrotar defekta produkter som inte anses möjliga att reparera. CTEK förbehåller sig rätten att utan förvarning variera, modifiera och ändra reglerna och villkoren häri på grund av ändring(ar) i tillgänglighet avseende service, produkter och/eller reservdelar i syfte att åtfölja gällande policyer, regler, regleringar och lagar.

NATIONELLA ANVÄNDNINGSBEGRÄNSNINGAR

Vissa länder, delstater eller provinser har andra elrelaterade koder och standarder än de som anges i denna användarmanual. Installation och användning av produkten ska följa lokala förordningar. Produkten är avsedd att användas av allmänheten. Produkten är avsedd för platser med både begränsad och icke-begränsad åtkomst.

UPPHOVSRÄTT

Den här användarhandboken levereras i "befintligt kick" och dess innehåll kan komma att ändras utan förvarning. CTEK AB garanterar inte att alla uppgifter i manualen är korrekta. CTEK AB ansvarar inte för fel eller incidenter eller skador som orsakats av att anvisningarna i denna manual inte följts.

© Copyright CTEK AB 2024. Med ensamrätt. Kopiering, anpassning eller översättning av den här manualen är strikt förbjudet utan skriftligt godkännande från CTEK AB, med undantag för vad som tillåts enligt gällande upphovsrättslagar.

REVISIONER

Beskrivningar, information och specifikationer i denna manual var giltiga vid tryckning. För att säkerställa att underhållsinstruktionerna är fullständiga och aktuella, läs alltid manualen som publiceras på vår webbplats.

SUPPORT

CTEK erbjuder professionell kundsupport. Kontakta oss via något av följande:



ctek.com/support

RAPPORTERING AV CYBERSÄKERHETSPROBLEM

Product Security Incident Response Team (PSIRT) på CTEK är den centrala kontaktpunkten för kunder, partners och forskare vid identifiering av en potentiell cybersäkerhetssårbarhet i någon CTEK-produkt eller stödsystem.

För att rapportera eventuella cybersäkerhetsproblem/sårbarheter, följ länken nedan:



ctek.com/support/psirt

CTEK

CTEK SWEDEN AB
ROSTUGNSVÄGEN 3
SE-776 70
VIKMANSHYTTAN | SWEDEN
WWW.CTEK.COM



500XXXXXXA